



DOUGHTY ENGINEERING LTD

# DATA SHEET

TITLE:  
DOUGHTY ARTICULATED BIG BEN  
CLAMP - EURO

PART NOS:  
T57227

MATERIAL :

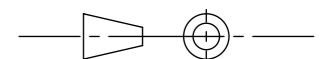
WEIGHT:  
3.90 lbs

SWL:  
441 lbs

FINISH:

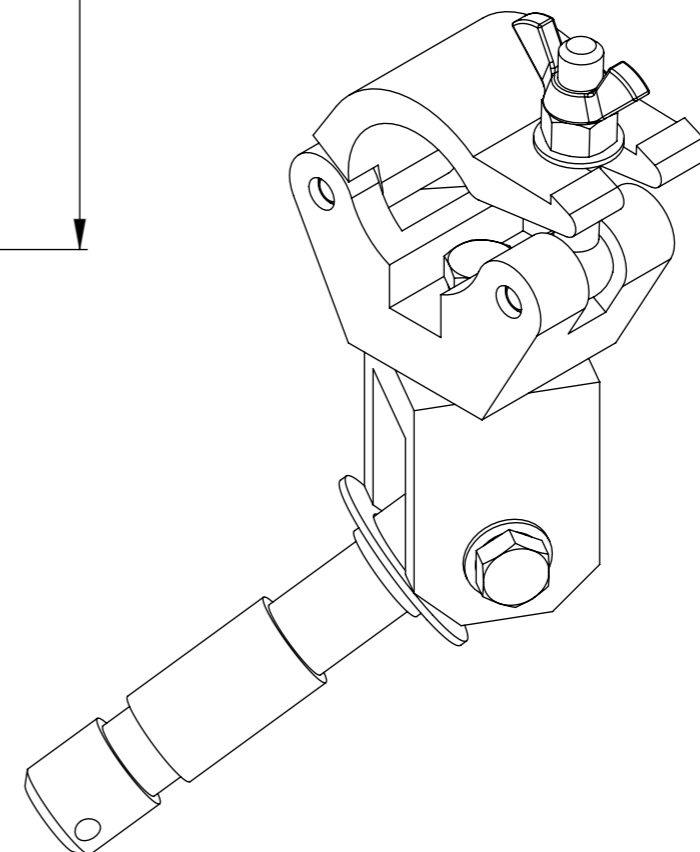
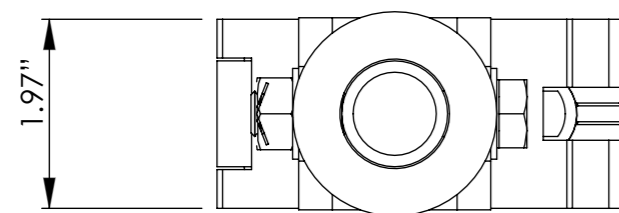
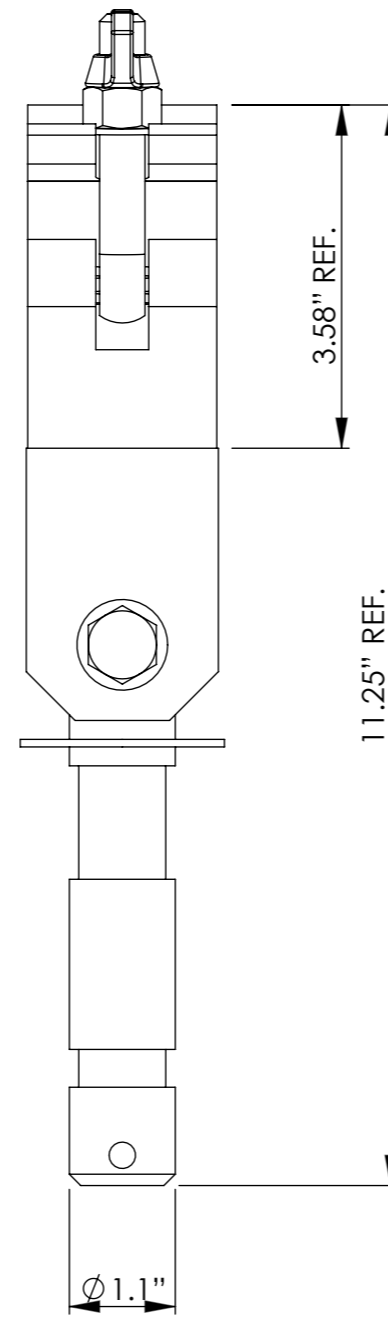
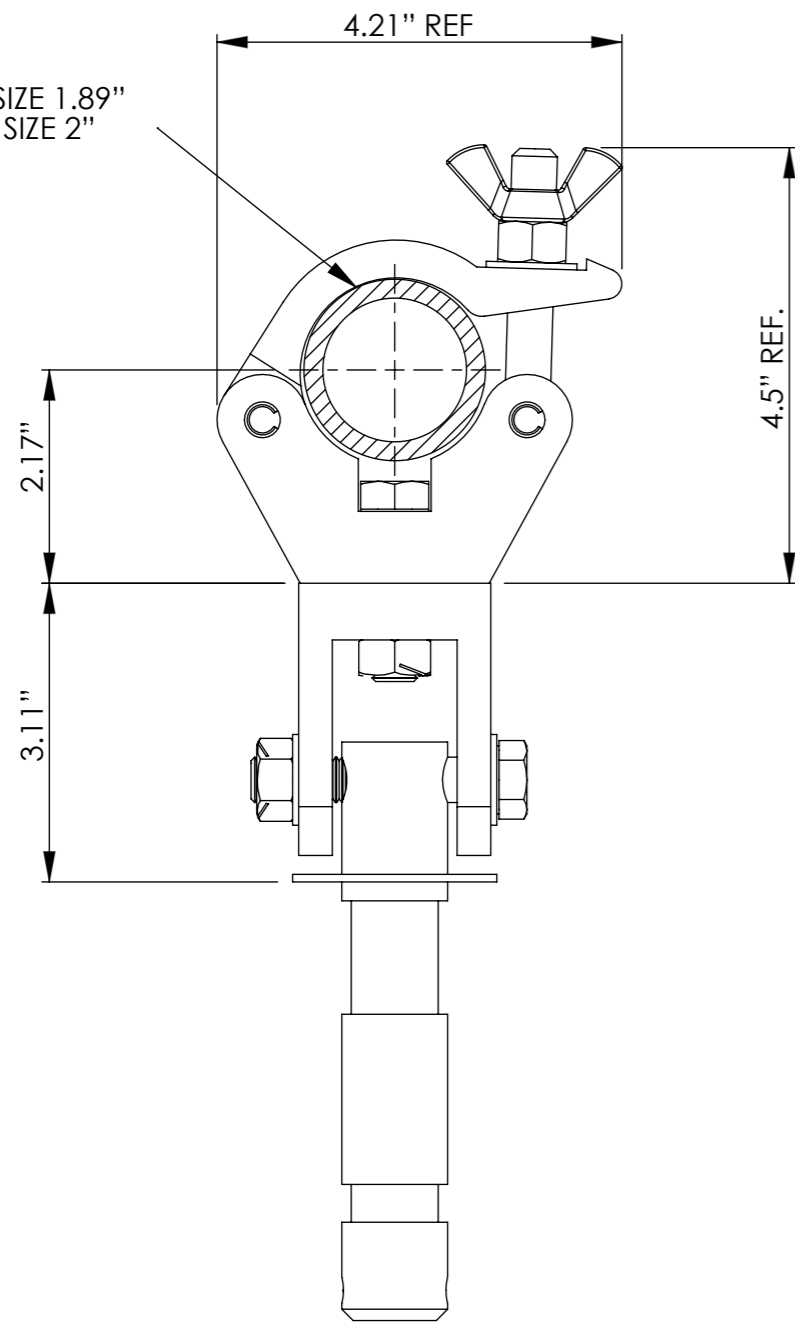
NOTES:  
MIN TUBE SIZE - 1.89"  
MAX TUBE SIZE - 2"

**STRICTLY  
FOR  
REFERENCE  
PURPOSES  
ONLY**



THIRD ANGLE PROJECTION

MIN TUBE SIZE 1.89"  
MAX TUBE SIZE 2"





DOUGHTY ENGINEERING LTD

# DATA SHEET

TITLE:  
DOUGHTY ARTICULATED BIG BEN  
CLAMP - DIN

PART NOS:  
T57228

MATERIAL :

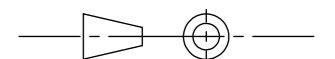
WEIGHT:  
3.90 lbs

SWL:  
441 lbs

FINISH:

NOTES:  
MIN TUBE SIZE - 1.89"  
MAX TUBE SIZE - 2"

**STRICTLY  
FOR  
REFERENCE  
PURPOSES  
ONLY**



THIRD ANGLE PROJECTION

