



DOUGHTY ENGINEERING LTD

DATA SHEET

TITLE:
25MM ATOM SWIVEL COUPLER

PART NOS:
T58875 - SILVER
T5887501 - BLACK

MATERIAL :
ALUMINIUM

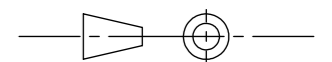
WEIGHT:

SWL: 220lb

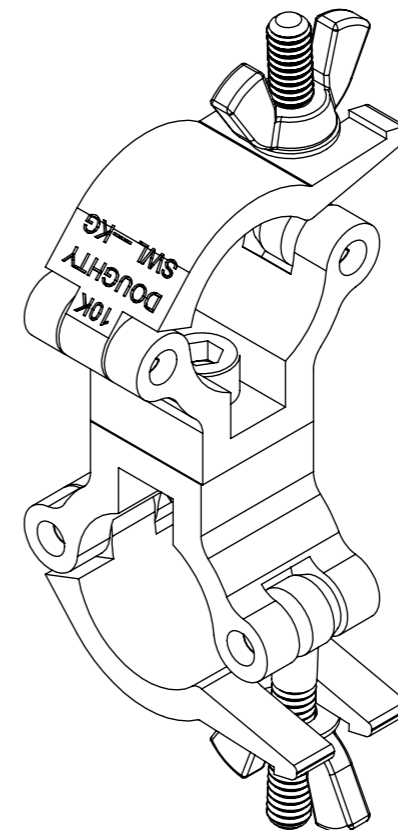
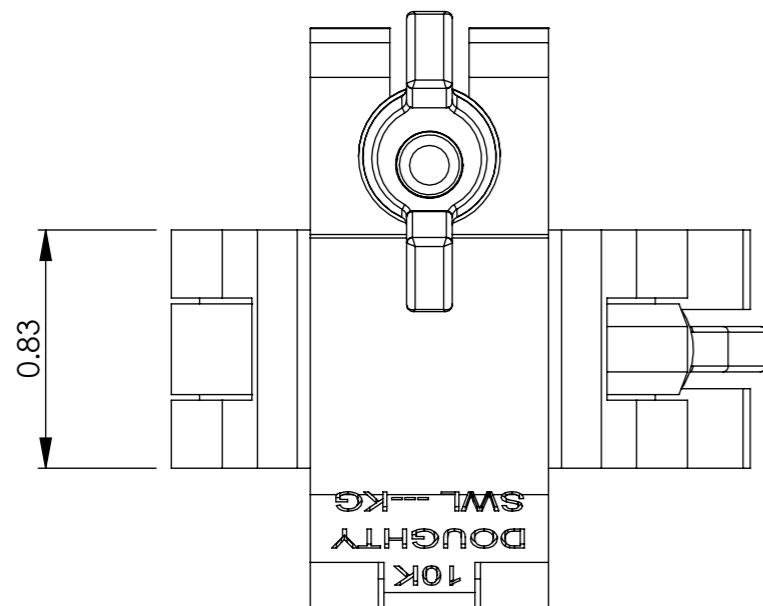
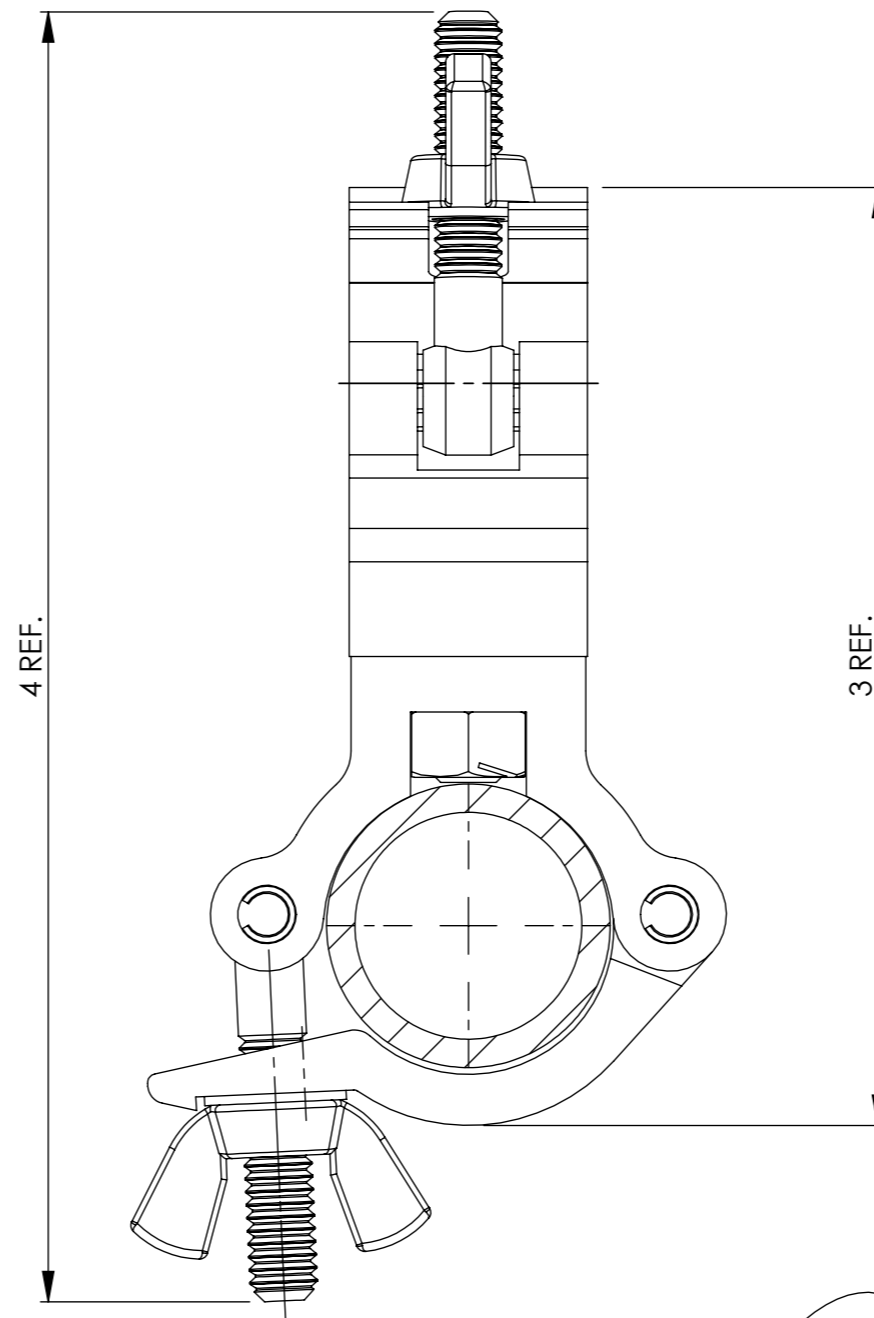
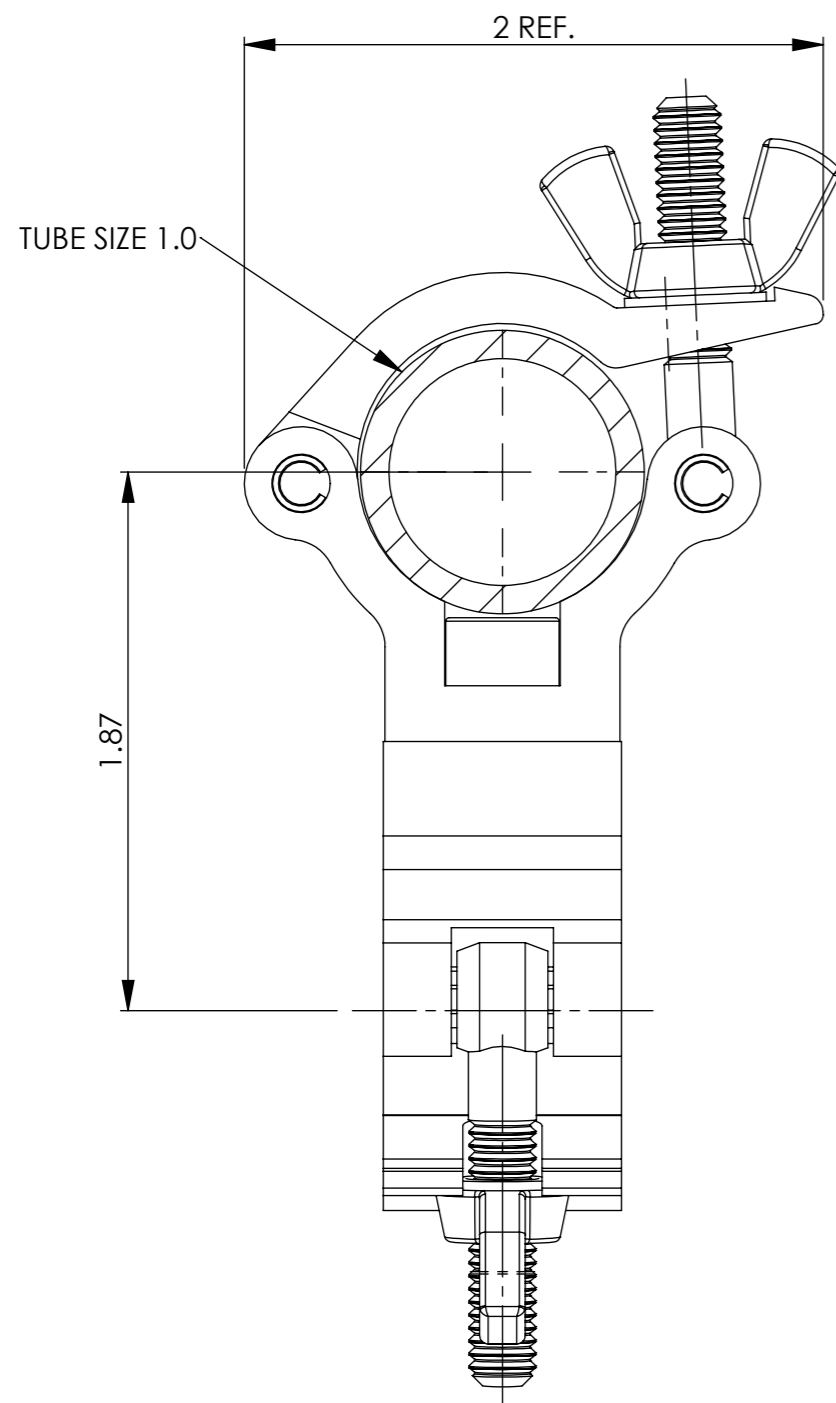
FINISH:
T58875 - POLISHED
T5887501 - POWDER PAINTED
BLACK

NOTES:
PARALLEL AND 90 DEGREE FIXED
VERSIONS ARE AVAILABLE

STRICTLY FOR REFERENCE PURPOSES ONLY



THIRD ANGLE PROJECTION





DOUGHTY ENGINEERING LTD

DATA SHEET

TITLE:
32MM ATOM SWIVEL COUPLER

PART NOS:
T58810 - SILVER
T5881001 - BLACK

MATERIAL :
ALUMINIUM

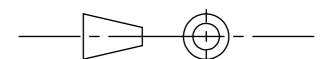
WEIGHT:

SWL: 200lb

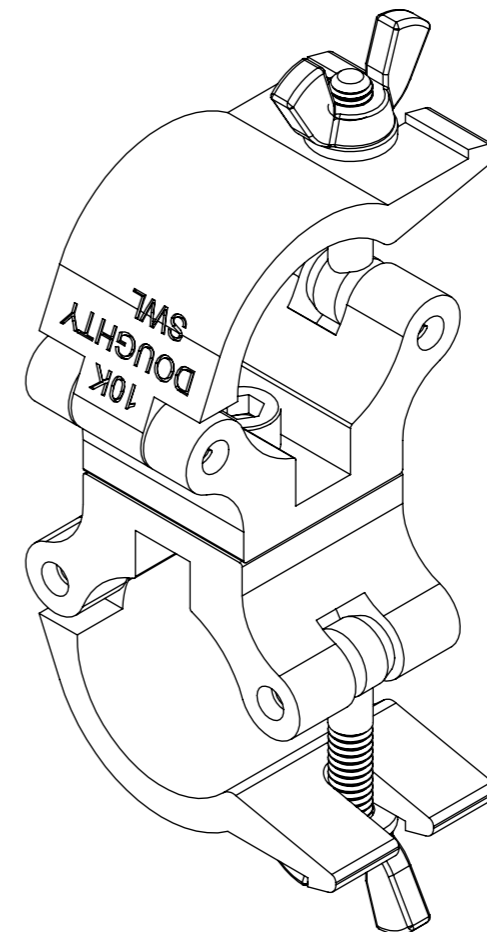
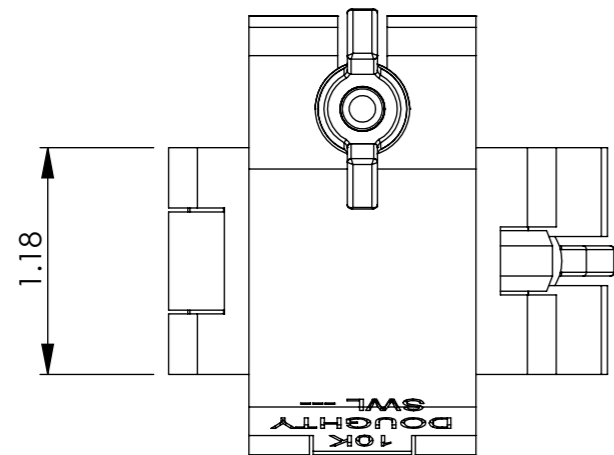
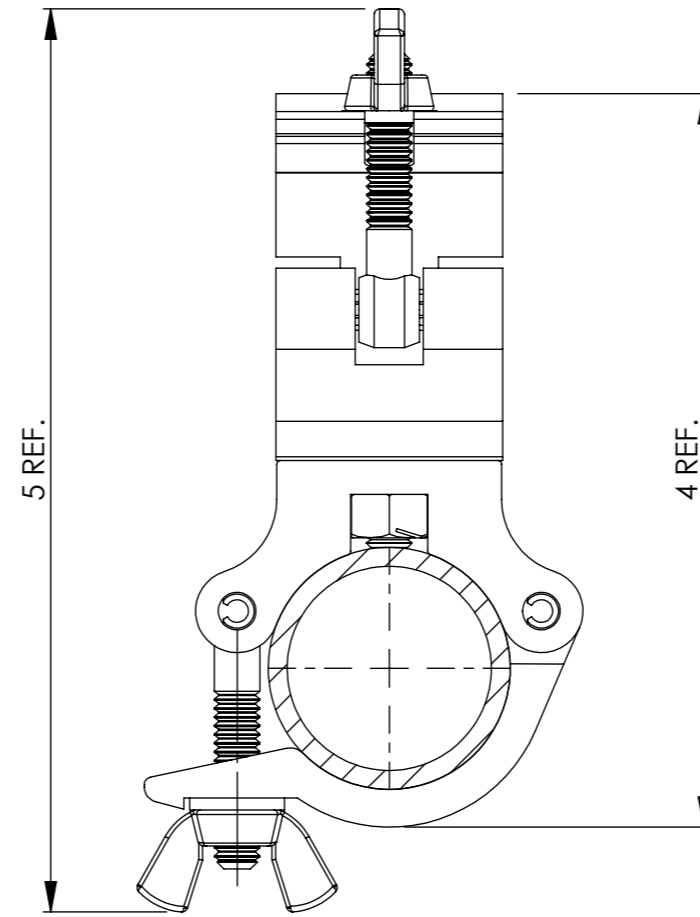
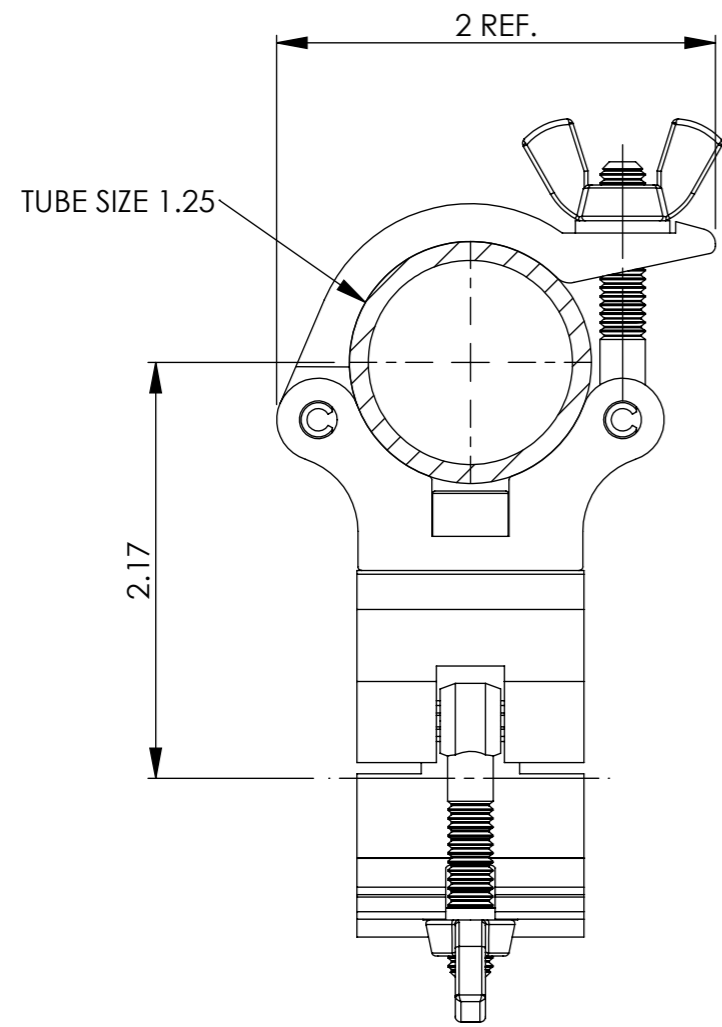
FINISH:
T58810 - POLISHED
T5881001 - POWDER PAINTED
BLACK

NOTES:
PARALLEL AND 90 DEGREE FIXED
VERSIONS ARE AVAILABLE

STRICTLY FOR REFERENCE PURPOSES ONLY



THIRD ANGLE PROJECTION





DOUGHTY ENGINEERING LTD

DATA SHEET

TITLE:
38MM ATOM SWIVEL COUPLER

PART NOS:
T58975 - SILVER
T5897501 - BLACK

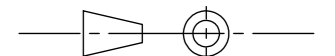
MATERIAL :
ALUMINIUM

WEIGHT:
SWL: 220lb

FINISH:
T58975 - POLISHED
T5897501 - POWDER PAINTED
BLACK

NOTES:
PARALLEL AND 90 DEGREE FIXED
VERSIONS ARE AVAILABLE

STRICTLY FOR REFERENCE PURPOSES ONLY



THIRD ANGLE PROJECTION

