



DOUGHTY ENGINEERING LTD

DATA SHEET

TITLE:
25MM ATOM PARALLEL COUPLER

PART NOS:
T58880 - SILVER
T5888001 - BLACK

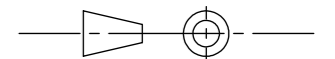
MATERIAL :
ALUMINIUM

WEIGHT:
SWL: 220lb

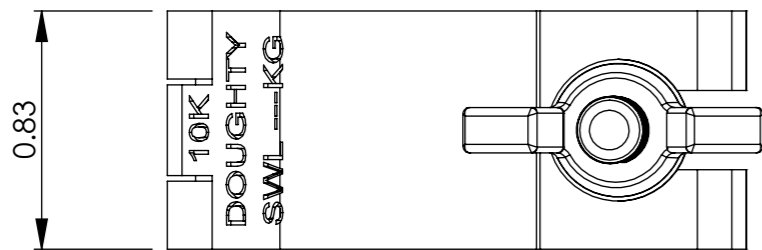
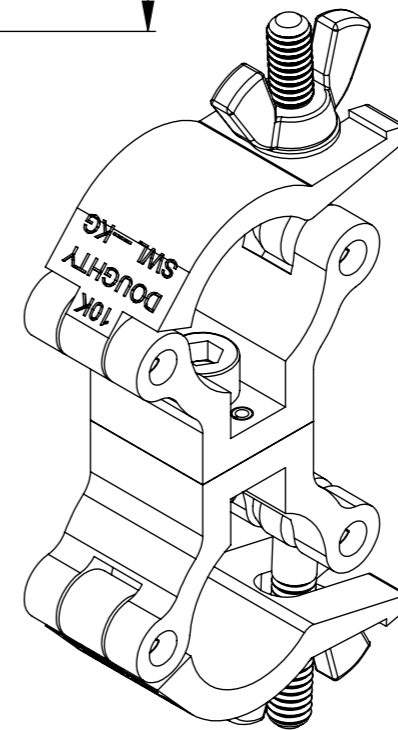
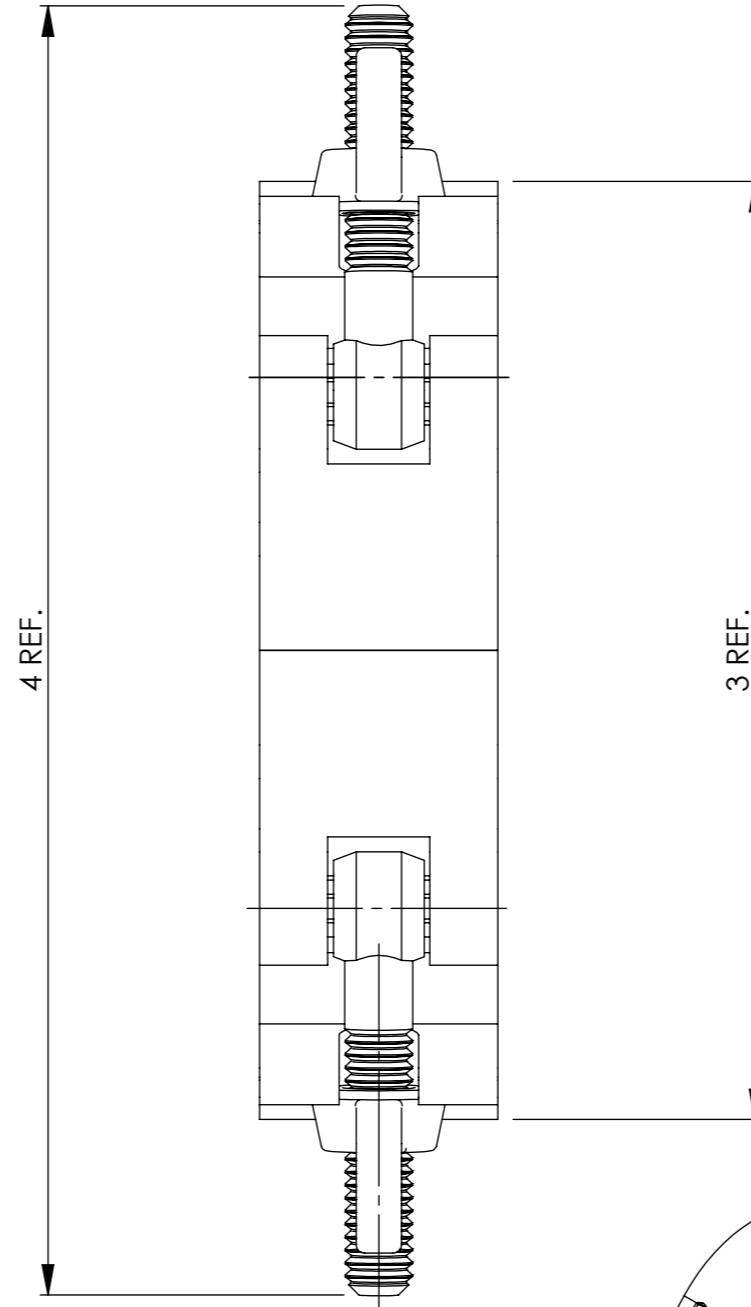
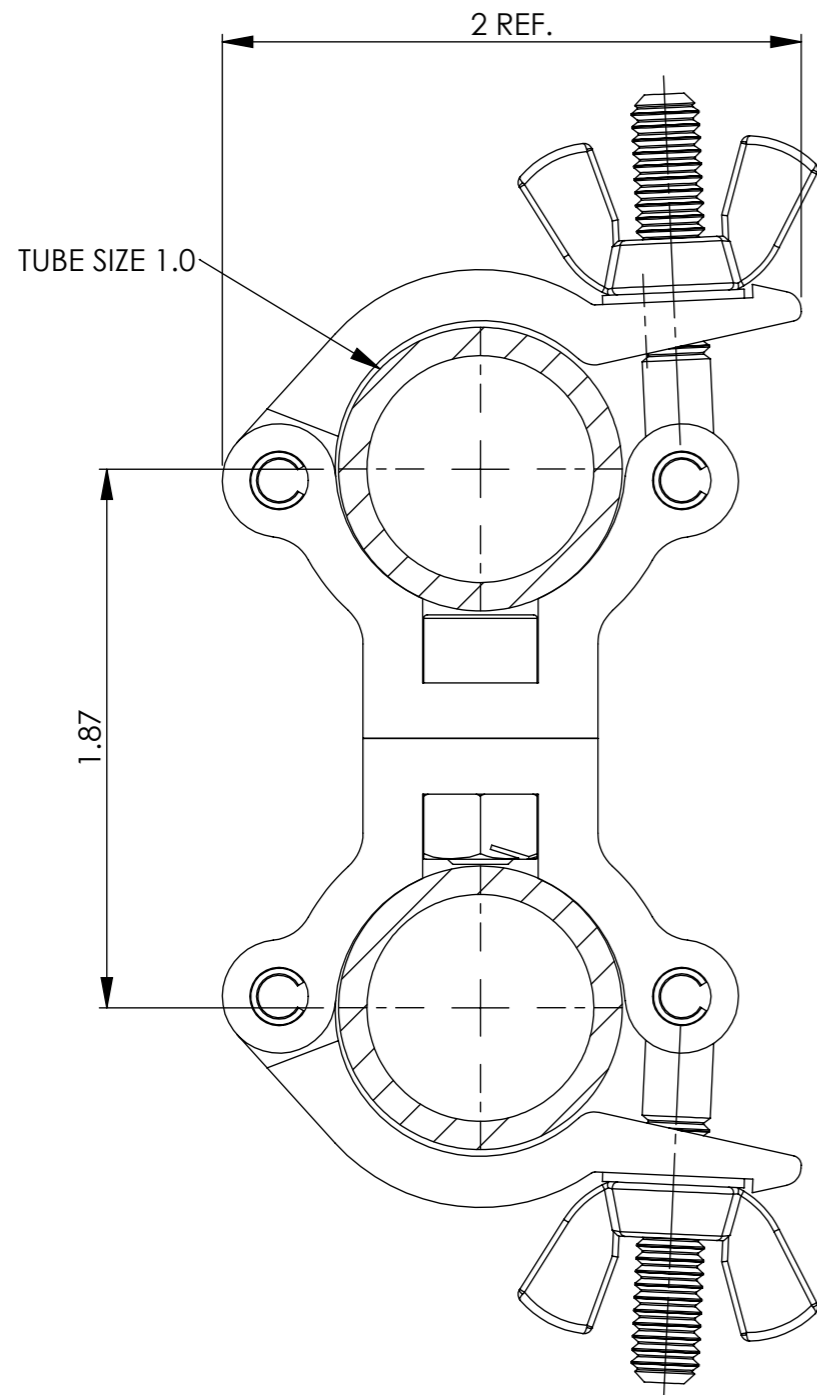
FINISH:
T58880 - POLISHED
T5888001 - POWDER PAINTED
BLACK

NOTES:
PARALLEL AND 90 DEGREE FIXED
VERSIONS ARE AVAILABLE

STRICTLY FOR REFERENCE PURPOSES ONLY



THIRD ANGLE PROJECTION





DOUGHTY ENGINEERING LTD

DATA SHEET

TITLE:
32MM ATOM PARALLEL COUPLER

PART NOS:
T58815 - SILVER
T5881501 - BLACK

MATERIAL :
ALUMINIUM

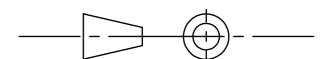
WEIGHT:

SWL: 220lb

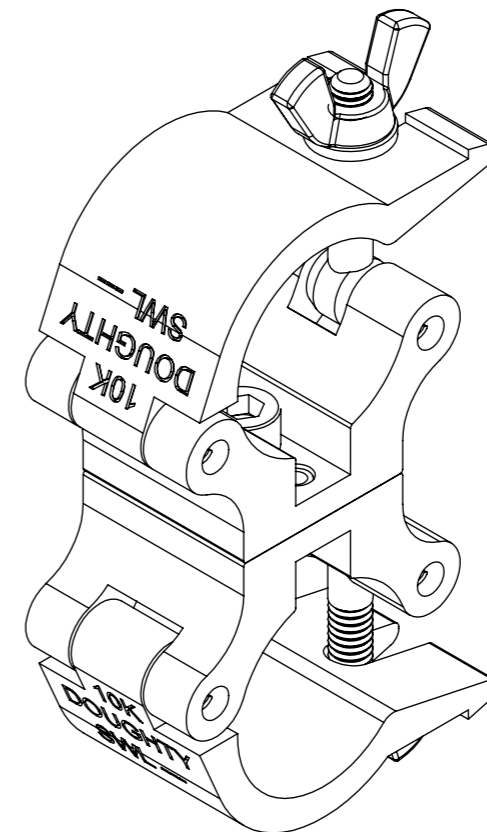
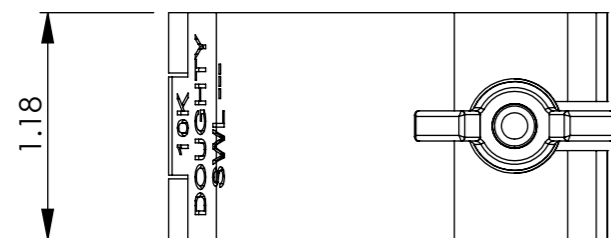
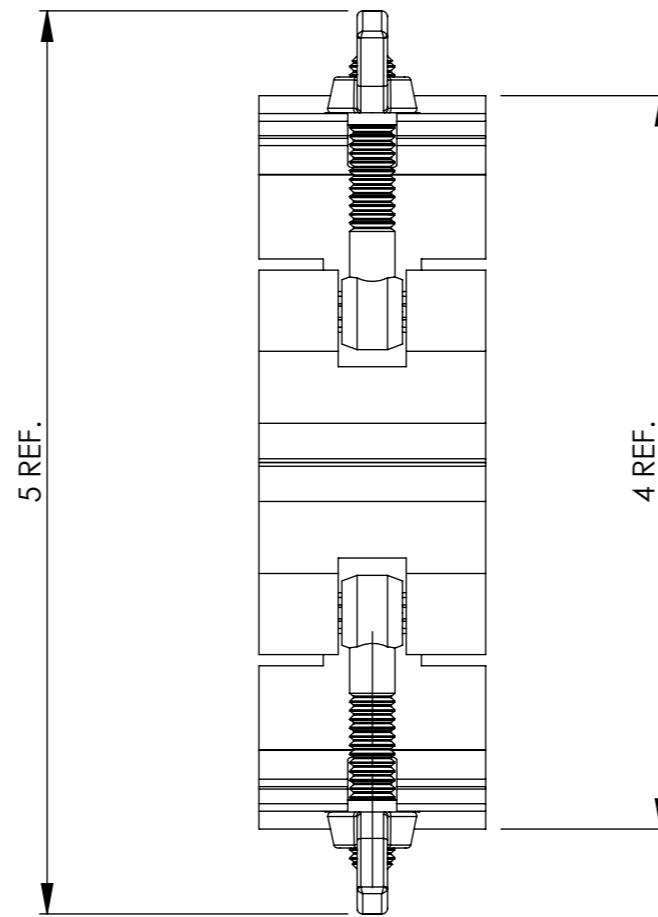
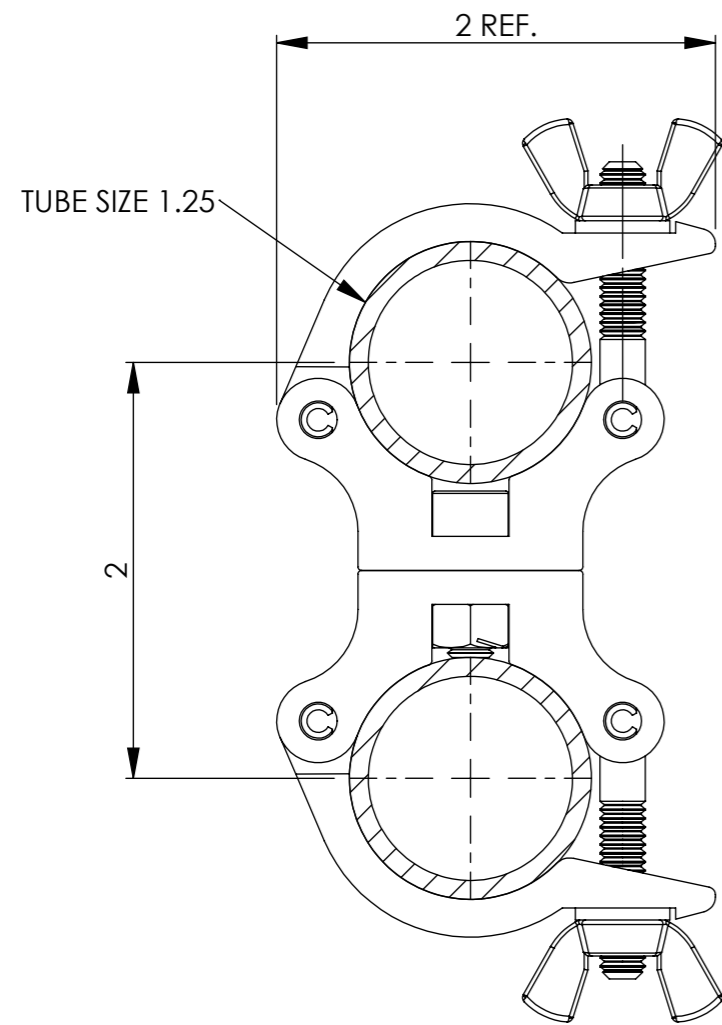
FINISH:
T58815 - POLISHED
T5881501 - POWDER PAINTED
BLACK

NOTES:
PARALLEL AND 90 DEGREE FIXED
VERSIONS ARE AVAILABLE

STRICTLY FOR REFERENCE PURPOSES ONLY



THIRD ANGLE PROJECTION





DOUGHTY ENGINEERING LTD

DATA SHEET

TITLE:
38MM ATOM PARALLEL COUPLER

PART NOS:
T58980 - SILVER
T5898001 - BLACK

MATERIAL:
ALUMINIUM

WEIGHT:

SWL: 220lb

FINISH:
T58980 - POLISHED
T5898001 - POWDER PAINTED BLACK

NOTES:
PARALLEL AND 90 DEGREE FIXED VERSIONS ARE AVAILABLE

STRICTLY FOR REFERENCE PURPOSES ONLY



THIRD ANGLE PROJECTION

