



DOUGHTY ENGINEERING LTD

# DATA SHEET

TITLE:  
25MM ATOM HANGING CLAMP

PART NOS:  
T58890 - SILVER  
T5889001 - BLACK

MATERIAL :  
ALUMINIUM

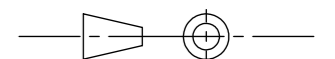
WEIGHT:  
N/A

SWL:  
45.5lb

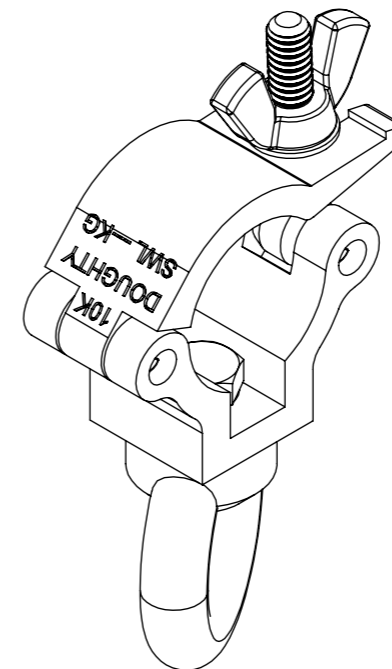
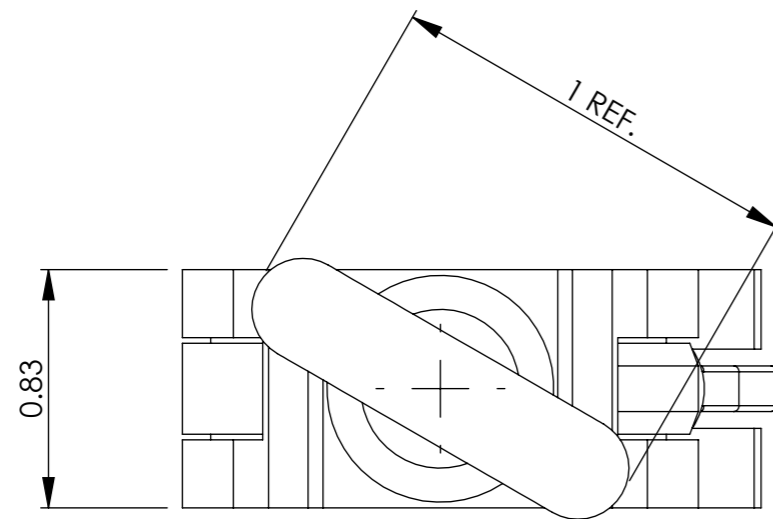
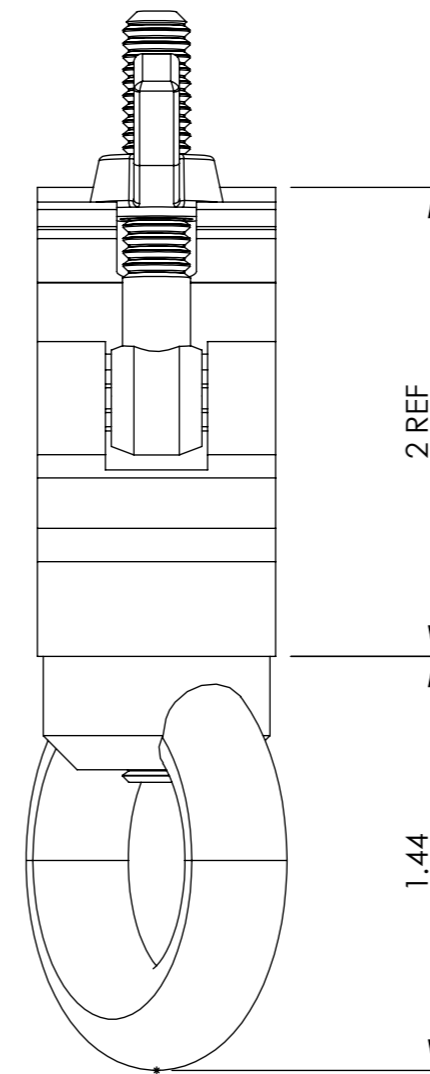
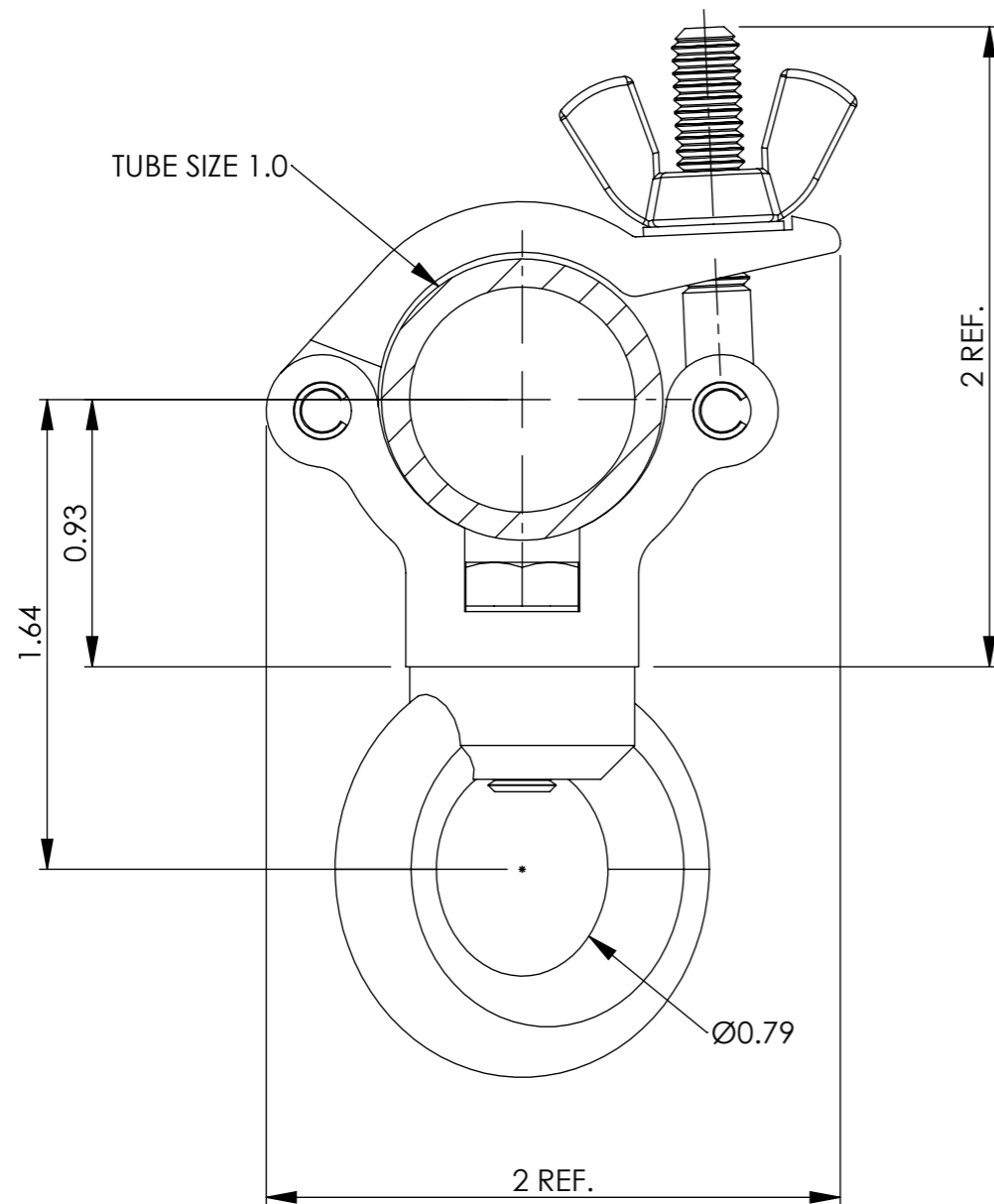
FINISH:  
T58890 - POLISHED  
T5889001 - POWDER PAINTED  
BLACK

NOTES:

**STRICTLY  
FOR  
REFERENCE  
PURPOSES  
ONLY**



THIRD ANGLE PROJECTION





DOUGHTY ENGINEERING LTD

# DATA SHEET

TITLE:  
32MM ATOM HANGING CLAMP

PART NOS:  
T58840 - SILVER  
T5884001 - BLACK

MATERIAL :  
ALUMINIUM

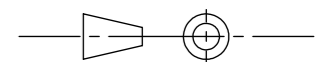
WEIGHT:  
N/A

SWL:  
220lb

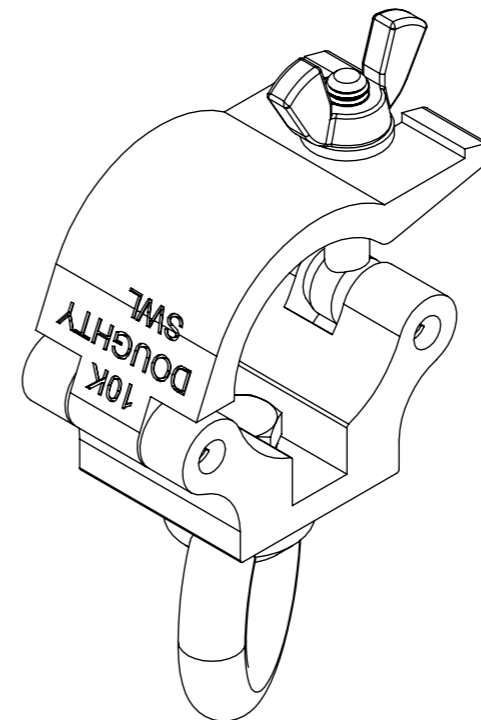
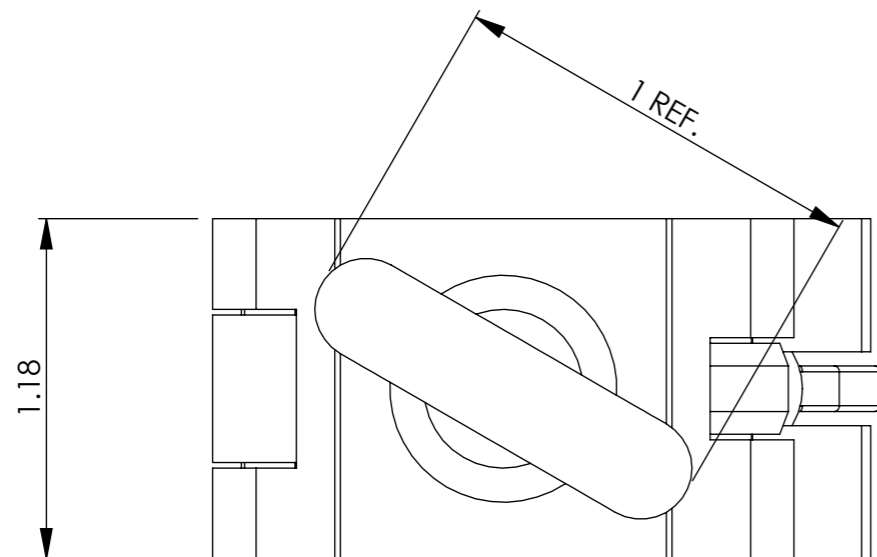
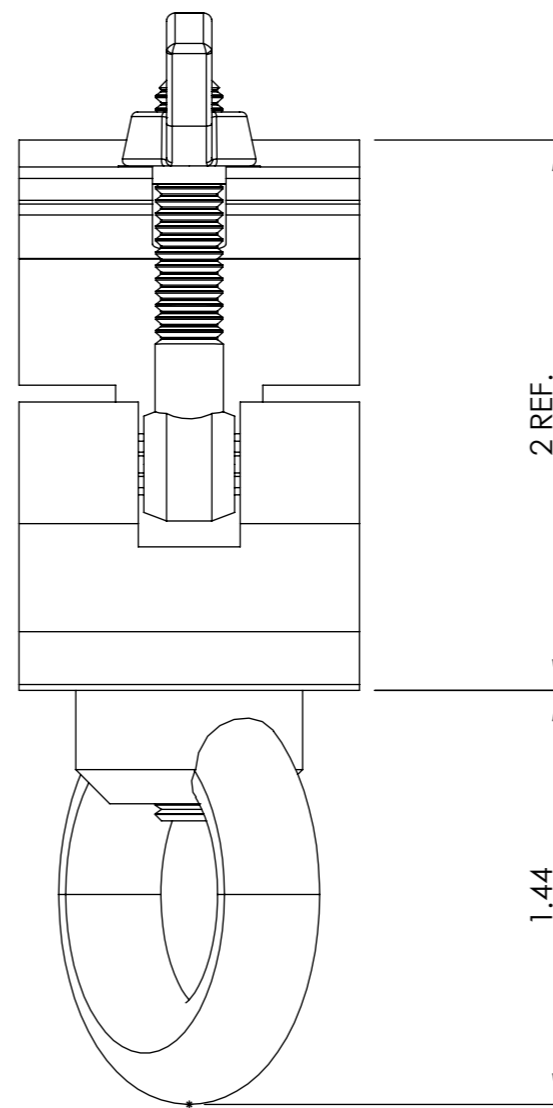
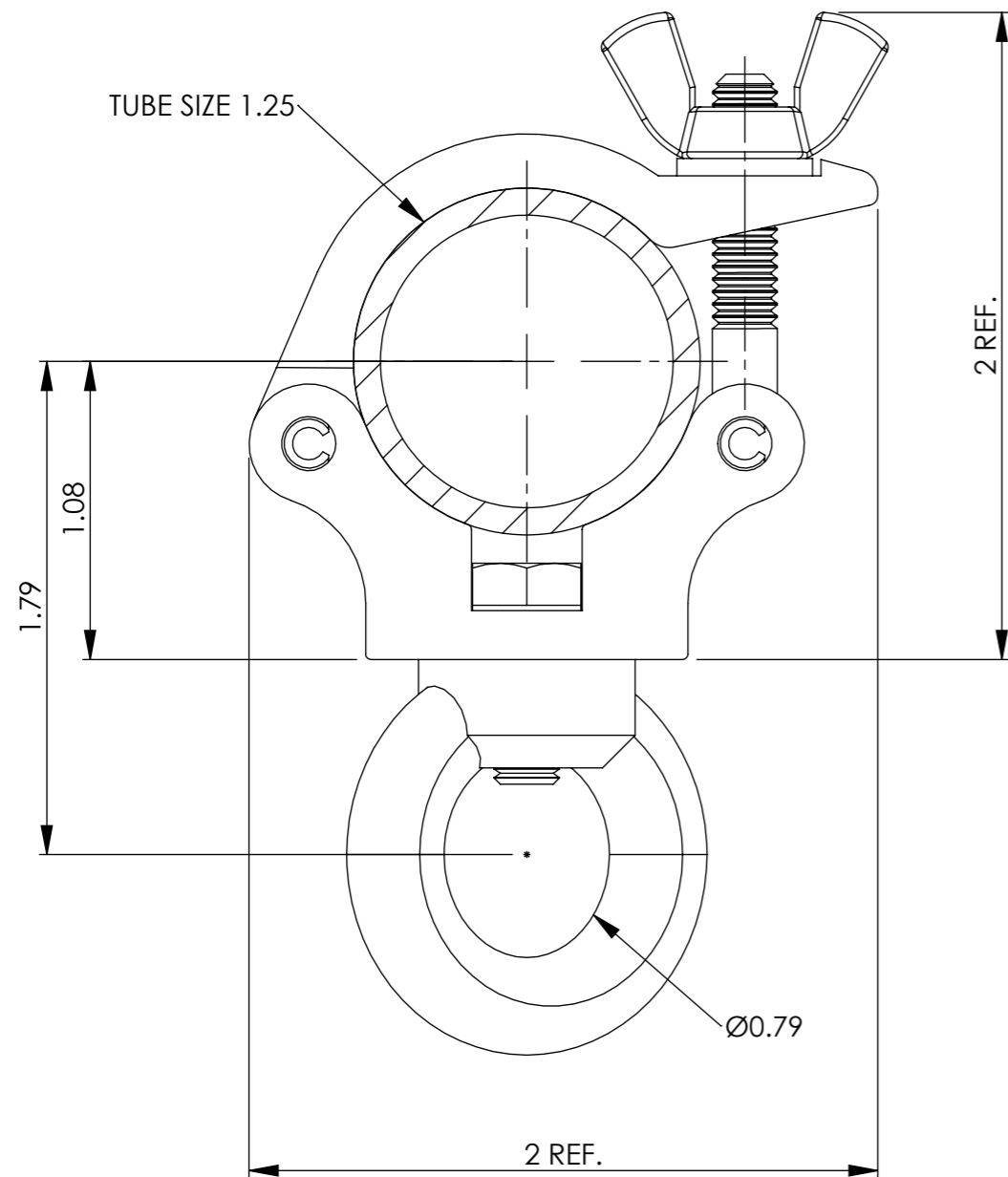
FINISH:  
T58840 - POLISHED  
T5884001 - POWDER PAINTED  
BLACK

NOTES:

**STRICTLY  
FOR  
REFERENCE  
PURPOSES  
ONLY**



THIRD ANGLE PROJECTION





DOUGHTY ENGINEERING LTD

# DATA SHEET

TITLE:  
38MM ATOM HANGING CLAMP

PART NOS:  
T58990 - SILVER  
T5899001 - BLACK

MATERIAL :  
ALUMINIUM

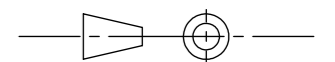
WEIGHT:  
N/A

SWL:  
200lb

FINISH:  
T58990 - POLISHED  
T5899001 - POWDER PAINTED  
BLACK

NOTES:

**STRICTLY  
FOR  
REFERENCE  
PURPOSES  
ONLY**



THIRD ANGLE PROJECTION

