



User Manual

www.doughty-usa.com

T57000/10 Doughty Half Coupler

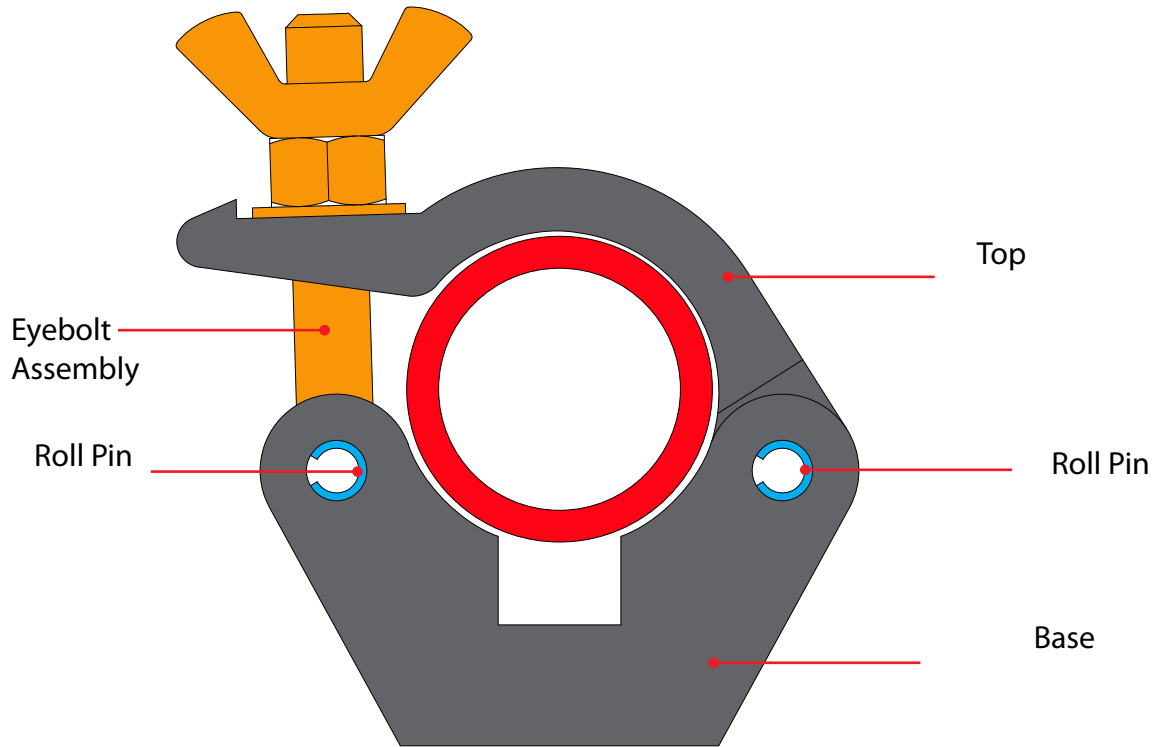


Version 12/10



www.doughty-usa.com

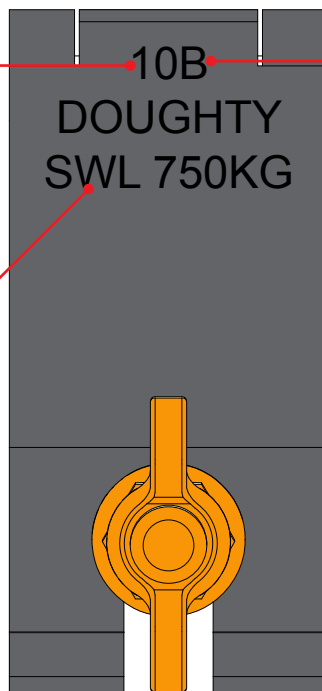
NB: The TUV Certificate endorses T57000 Polished coupler only.



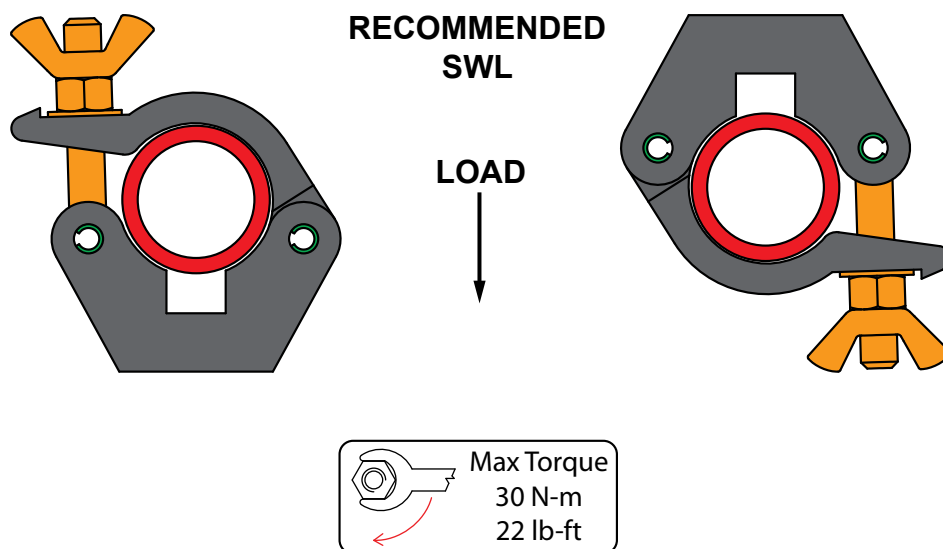
Year of Manufacturer
i.e. - 09 = 2009
10 = 2010
11 = 2011

Month of Manufacturer
i.e. - A = Jan
B = Feb
C = March

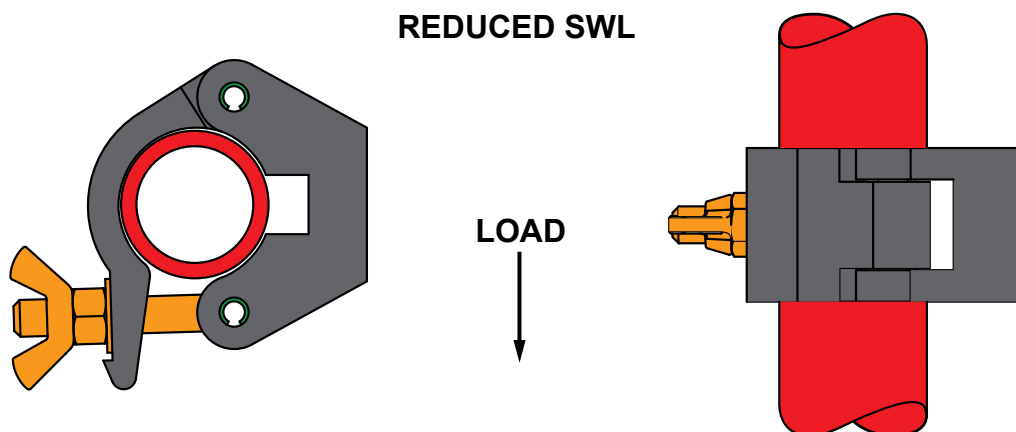
Safe
Working
Load



1. Never exceed the Safe Working Load (SWL) shown on the clamp.
2. Only use the clamp within the designed tube parameters (2")
3. All clamps should be visually inspected before use. In the event of any damage the clamp should be taken out of service and returned to an 'Approved Doughty Service Agent' for inspection. (see our dealer locator on our web site for a comprehensive list of Authorised Service Agents)
4. When used in conjunction with other accessories, care must be taken to ensure that the minimum SWL of any component is not exceeded.
5. Doughty Engineering Ltd does not recommend using any clamps which do not fully encompass the tube for overhanging. All open clamps including hookclamps should be used in a vertical orientation only.



THE FOLLOWING APPLICATIONS WILL RESULT IN THE RECOMMENDED SWL BEING REDUCED DEPENDANT ON THE TUBE SURFACE FINISH & TORQUE SETTINGS APPLIED. PROOF LOADING ON INSTALLATIONS IS RECOMMENDED.





DOUGHTY ENGINEERING LTD

DATA SHEET

TITLE: DOUGHTY CLAMP

PART NOS:
T57000 - POLISHED
T57010 - BLACK

MATERIAL :

WEIGHT: 1.38 lbs

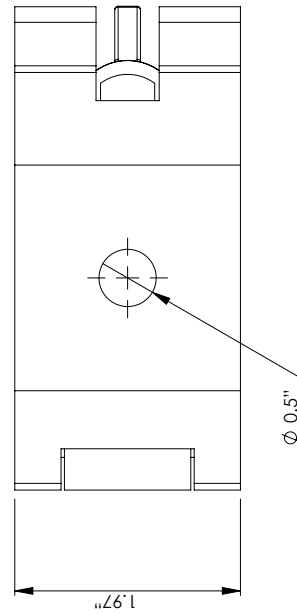
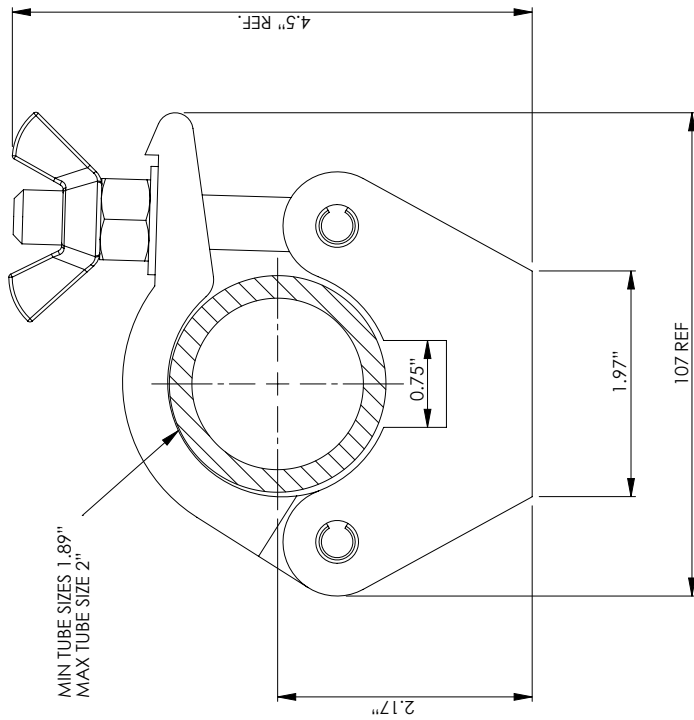
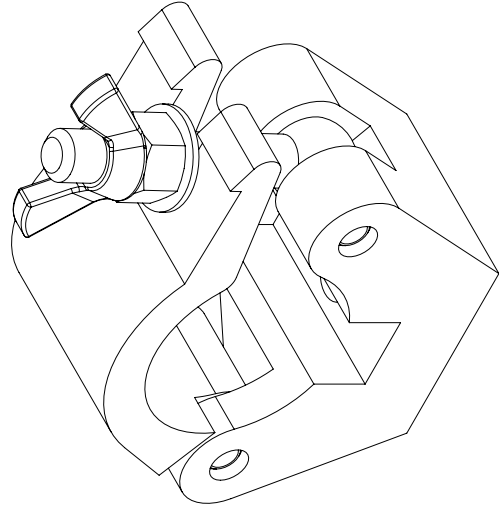
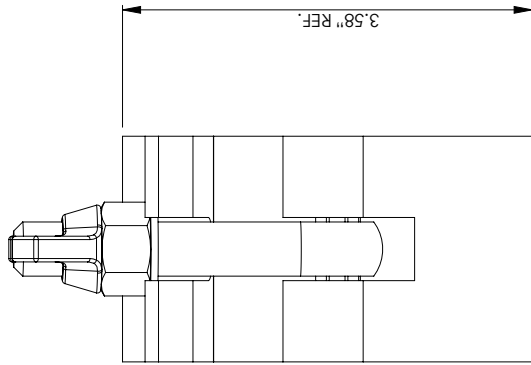
SWL: 1.653 lbs

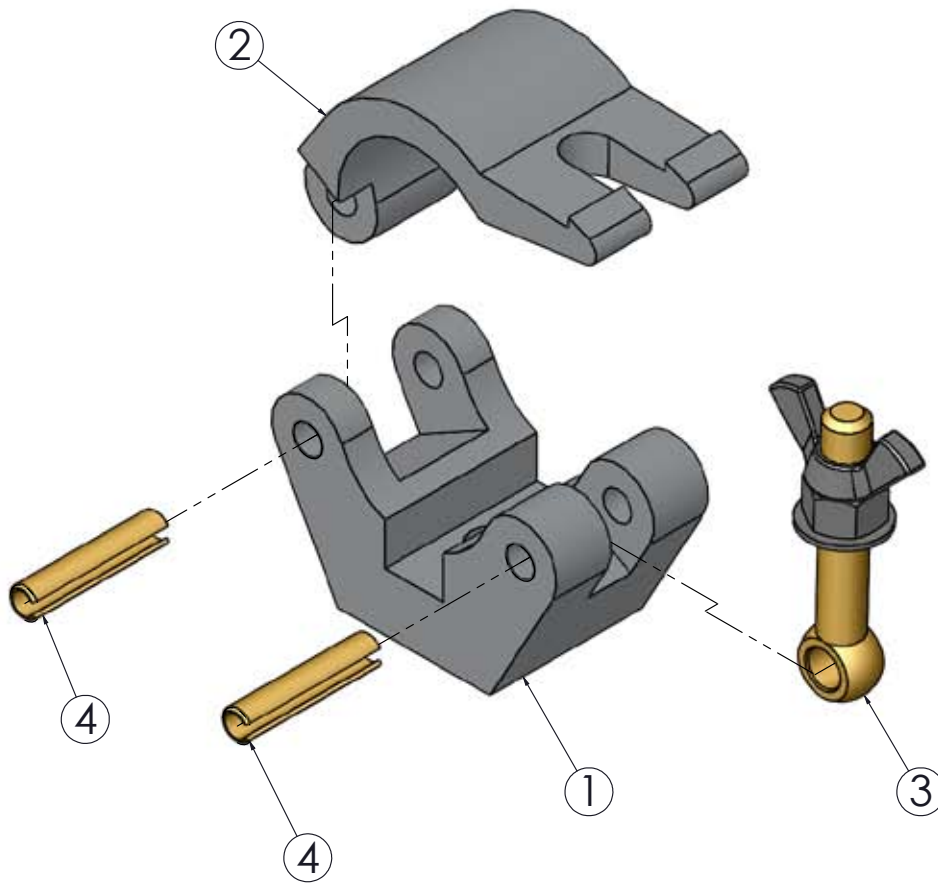
FINISH:

NOTES:

MIN TUBE SIZE - 1.89"
MAX TUBE SIZE - 2"

STRICTLY FOR REFERENCE PURPOSES ONLY





DOUGHTY PRODUCTS MUST ONLY BE SERVICED / REPAIRED BY
AN AUTHORISED SERVICE AGENT.
SPARE PARTS ARE ONLY AVAILABLE TO THESE AGENTS

ITEM NO.	PART NUMBER	DESCRIPTION	Spares/QTY.
1	TH156	DOUGHTY CLAMP BASE - 50MM	1
2	TH157	DOUGHTY CLAMP TOP - 50MM	1
3	T78000	M12 X 70 EYEBOLT FIXING ASSY	1
4	F790	0.375" X 1.75" STAINLESS STEEL ROLL PIN	2

T57000 - DOUGHTY CLAMP



NOT TO SCALE	DRAWN	MC
	DATE	21.12.10
	Rev	1



Doughty Engineering Limited

CROW ARCH LANE, RINGWOOD, HANTS, BH24 1NZ. ENGLAND

Telephone: +44 (0) 1425 478961 Fax: +44 (0) 1425 474481

www.doughty-engineering.co.uk

email:sales@doughty-engineering.co.uk

EC DECLARATION OF CONFORMITY

Doughty Engineering Limited hereby certify that the equipment stated below has been designed to comply with all relevant sections of the specifications referenced below and complies with all the applicable Essential Requirements of the EC Directives and amendments and the National Laws and Regulations adopting these Directives.

Description: Doughty Half Coupler

Model/s: Part No. T57000 / T57010

SWL: 750Kg **Factor:** 5:1

are in conformity with the provision of the following EC Directives:

MACHINERY DIRECTIVE 98/37/EC

Harmonised Standards applied:

EN 292-1-2:1991

BS EN ISO 9001:1994

Safety Tested: DIN 31000 03.79

Safety Tested: DIN EN 74 12.88

National Technical Standards & Specifications applied:

BS 7905-1:2001

Signed:

A handwritten signature in black ink, appearing to read "Nigel Curtis".

Date:23-04-08

Name: Nigel Curtis

Position: Technical Director

Being the responsible person appointed by the manufacturer.



DEQ 083 Rev 4

Company Registration No. London 972614
Registered Office: Crow Arch Lane, Ringwood, Hants, BH24 1NZ
Directors: M.B.Lister. J.C.G. Chiverton. N.D. Curtis. S.C. Wright



Certificate

No: B 99 03 20319 006



Doughty Engineering Ltd.

Crow Arch Lane
Ringwood, Hampshire BH24 1NZ
Great Britain

with production facilities
20319

is authorized to label the following products with the
certification mark E
as shown in the certification mark list. See also notes overleaf.

Product: Rohrkupplungen für mechanische Verbindung
Half Couplers

Model: T57000 Standard

Parameters:	Max. load capacity:	750kg
	Tube diameter:	48-50mm
	Width:	50mm
	Thickness of the bottom:	19mm
	Material:	6082 (AlSi1MgMn)
	Weight:	641g

The product meets the relevant safety requirements and was tested according to:

DIN 31000 03.79
DIN EN 74 12.88 (in Anlehnung)

Report No: 01301602801, E - (B 97 02 20319 001)

Released with the above certificate number by the certification body of TÜV PRODUCT SERVICE GMBH.

Department: TFDEMA / MAS
Date: 03-03-99



TÜV PRODUCT SERVICE GMBH · Zertifizierstelle · Ridlerstrasse 31 · D-80339 München



Doughty Engineering USA

401 So. Mount Juliet Road

Suite #235/145

Mount Juliet

TN. 37122

Ph: (615) 470-5255 Fx: (615) 470-5389

email: doughtyusa@gmail.com

Web: www.doughty-usa.com

Note: Whilst every effort has been made to ensure that the information contained within this manual is correct, Doughty Engineering does not accept any liability for errors or omissions. Specifications and technical data are intended for guidance purposes only and may vary.