



# User Manual

[www.doughty-usa.com](http://www.doughty-usa.com)

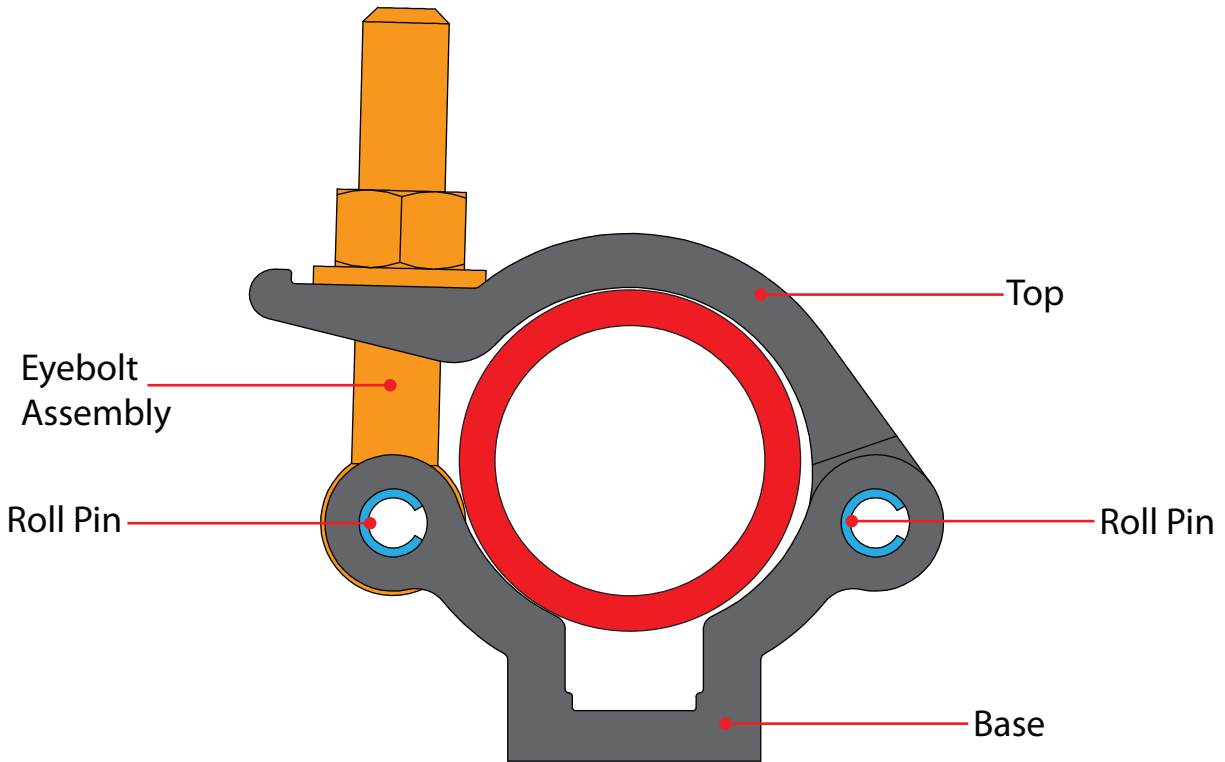
## T58080/81 Slimline Lightweight Half Coupler



Version 02/11

[www.doughty-usa.com](http://www.doughty-usa.com)

NB: The TUV Certificate endorses T58080 Polished coupler only.



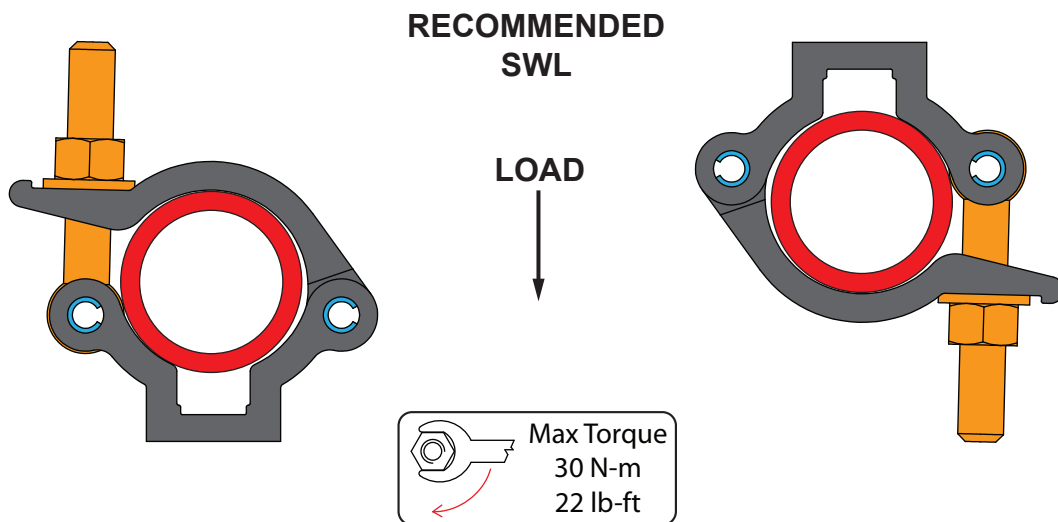
Year of Manufacturer  
i.e. - 09 = 2009  
**10 = 2010**  
11 = 2011

Month of Manufacturer  
i.e. - A = Jan  
**B = Feb**  
C = March

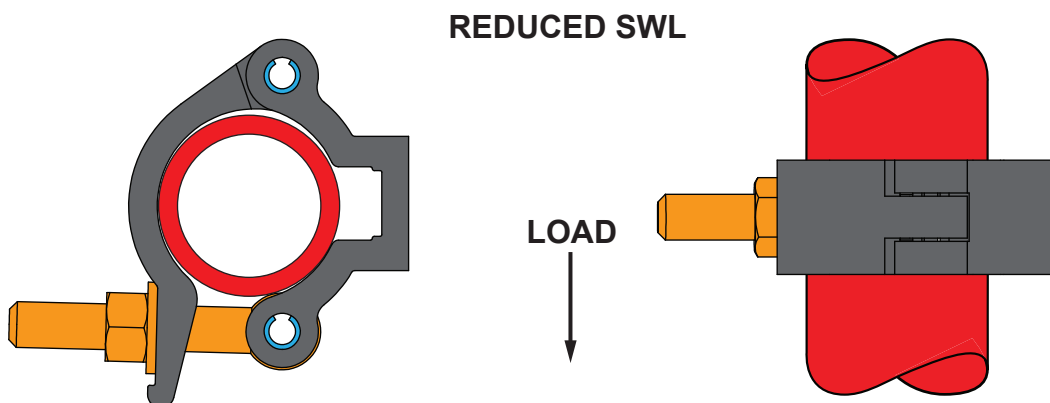
Safe  
Working  
Load





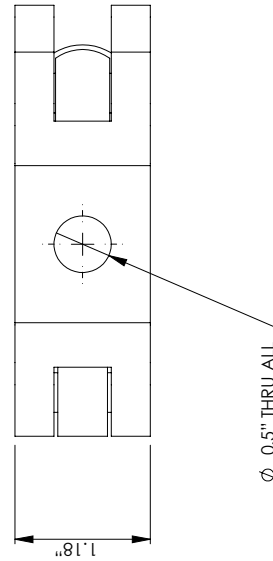
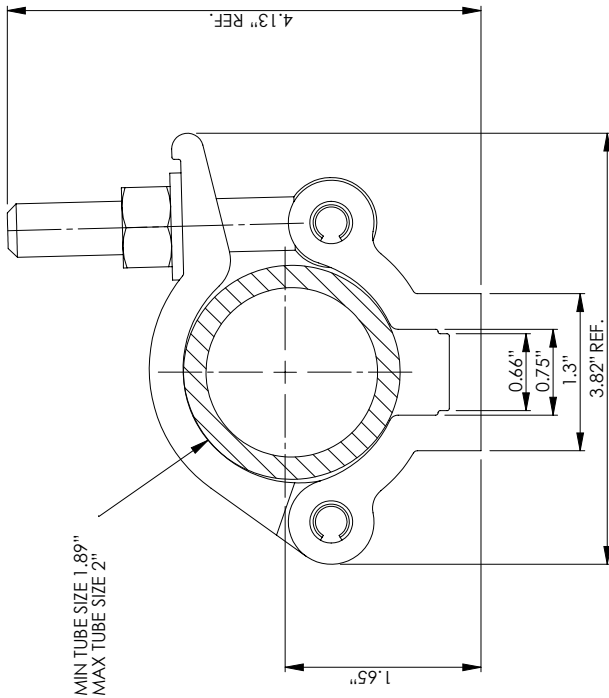
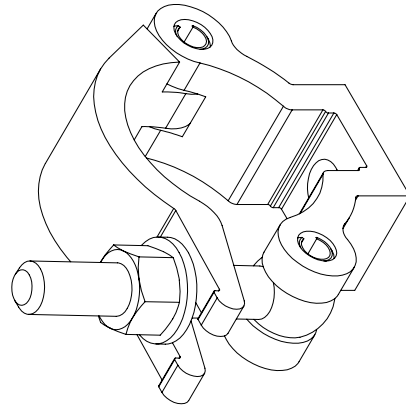
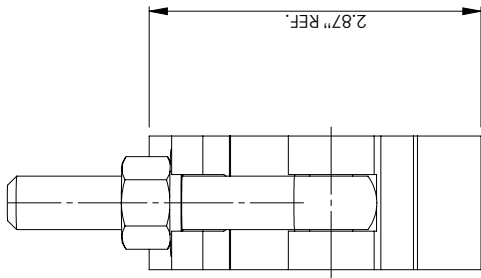
1. Never exceed the Safe Working Load (SWL) shown on the clamp.
2. Only use the clamp within the designed tube parameters (2")
3. All clamps should be visually inspected before use. In the event of any damage the clamp should be taken out of service and returned to an 'Approved Doughty Service Agent' for inspection. (see our dealer locator on our web site for a comprehensive list of Authorised Service Agents)
4. When used in conjunction with other accessories, care must be taken to ensure that the minimum SWL of any component is not exceeded.
5. Doughty Engineering Ltd does not recommend using any clamps which do not fully encompass the tube for overhanging. All open clamps including hookclamps should be used in a vertical orientation only.

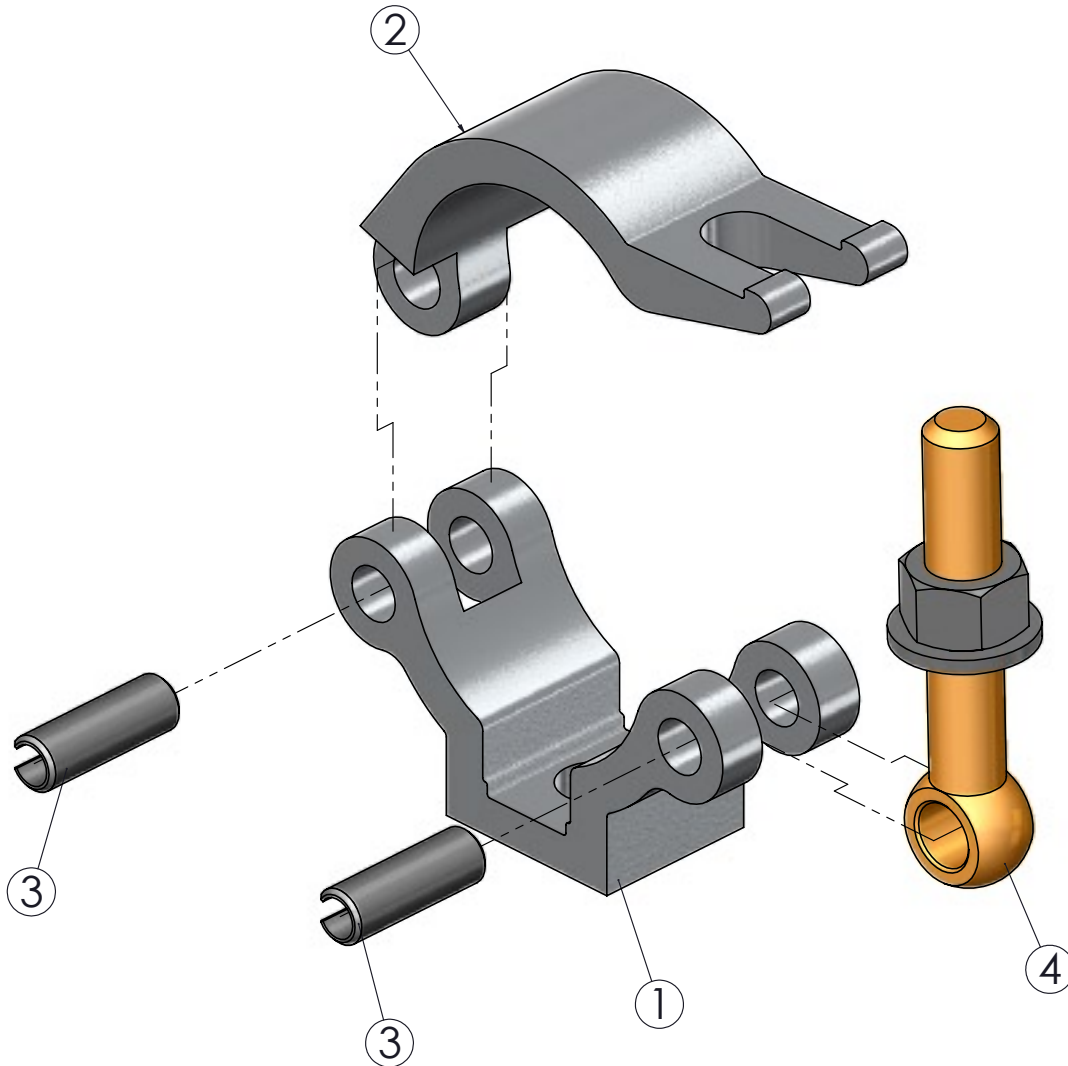


THE FOLLOWING APPLICATIONS WILL RESULT IN THE RECOMMENDED SWL BEING REDUCED DEPENDANT ON THE TUBE SURFACE FINISH & TORQUE SETTINGS APPLIED. PROOF LOADING ON INSTALLATIONS IS RECOMMENDED.



 DOUGHTY ENGINEERING LTD	<h2>DATA SHEET</h2>	TITLE: DOUGHTY SLIMLINE L/W HALF COUPLER	PART NOS: T58080 - SILVER T58081 - BLACK	MATERIAL : ALUMINIUM	WEIGHT: 0.53 lbs	SWL: 661 lbs	FINISH: T58080 - POLISHED T58081 - POWDER PAINTED BLACK	NOTES:  MIN TUBE SIZE - 1.89" MAX TUBE SIZE - 2"	<h3>STRICTLY FOR REFERENCE PURPOSES ONLY</h3>	 THIRD ANGLE PROJECTION
--	---------------------	--	--	-------------------------	------------------	--------------	---	---	---	---





DOUGHTY PRODUCTS MUST ONLY BE SERVICED / REPAIRED BY  
 AN AUTHORISED SERVICE AGENT.  
 SPARE PARTS ARE ONLY AVAILABLE TO THESE AGENTS

ITEM NO.	PART NUMBER	DESCRIPTION	Spares/QTY.
1	TH642	MACHINED SLIMLINE L/W DOUGHTY CLAMP BASE	1
2	TH384	MACHINED SLIMLINE L/W DOUGHTY CLAMP TOP	1
3	F791	STAINLESS STEEL ROLLPIN 3/8" X 1 1/8"	2
4	T78005	M12 X 70 EYEBOLT ASSEMBLY	1

## T58080 - DOUGHTY SLIMLINE L/W HALF COUPLER



NOT TO SCALE

DRAWN

DATE

Rev

AW

03/02/2011

1



**Doughty Engineering Limited**

CROW ARCH LANE, RINGWOOD, HANTS, BH24 1NZ. ENGLAND  
Telephone: +44 (0) 1425 478961 Fax: +44 (0) 1425 474481  
www.doughty-engineering.co.uk  
email:sales@doughty-engineering.co.uk

**EC DECLARATION OF CONFORMITY**

Doughty Engineering Limited hereby certify that the equipment stated below has been designed to comply with all relevant sections of the specifications referenced below and complies with all the applicable Essential Requirements of the EC Directives and amendments and the National Laws and Regulations adopting these Directives.

**Description:** Slimline Lightweight Half Coupler

**Model/s:** Part No. T58080 / T58081

**SWL:** 300Kg      **Factor:** 5:1

are in conformity with the provision of the following EC Directives:

MACHINERY DIRECTIVE 98/37/EC

**Harmonised Standards applied:**

EN 292-1-2:1991

BS EN ISO 9001:1994

Safety Tested: DIN 31000 03.79

Safety Tested: DIN EN 74 12.88

**National Technical Standards & Specifications applied:**

BS 7905-1:2001

Signed:  Date:23-04-08

Name: Nigel Curtis      Position: Technical Director

Being the responsible person appointed by the manufacturer.



DEQ 083 Rev 4

Company Registration No. London 972614  
Registered Office: Crow Arch Lane, Ringwood, Hants, BH24 1NZ  
Directors: M.B.Lister. J.C.G. Chiverton. N.D. Curtis. S.C. Wright



# Certificate

No.: B 03 02 20319 013



Doughty Engineering Ltd.

Crow Arch Lane  
Ringwood, Hampshire BH24 1NZ  
Great Britain

with production facility(ies)  
20319

is authorized to label the following products with the  
TÜV Mark E20.

Please see notes overleaf.

Product: Tube coupling

Model: half couplers, Art.-No. T5B080

Parameters:	max. load capacity:	300 kg
	width:	30 mm
	weight:	233 g
	for tube diameter:	φ 40 mm - φ 51 mm
	material:	Aluminium alloy 6082-T6 (AlSi1MgMn)

The compliance of the above-mentioned product with the following essential requirements  
was tested on a voluntary basis:

DIN 31000:1979

Report No: 70034473001

Released with the above certificate number by the  
certification body of TÜV PRODUCT SERVICE GMBH.

Department: FFMMCH1 / vs  
Date: 19-Feb-2003



TÜV PRODUCT SERVICE GMBH · Zertifizierstelle · Ridlerstrasse 65 · D-80339 München



**Doughty Engineering USA**

401 So. Mount Juliet Road  
Suite #235/145  
Mount Juliet  
TN. 37122

Ph: (615) 470-5255 Fx: (615) 470-5389

email: [doughtyusa@gmail.com](mailto:doughtyusa@gmail.com)

Web: [www.doughty-usa.com](http://www.doughty-usa.com)

Note: Whilst every effort has been made to ensure that the information contained within this manual is correct, Doughty Engineering does not accept any liability for errors or omissions. Specifications and technical data are intended for guidance purposes only and may vary.