



User Manual

www.doughty-usa.com

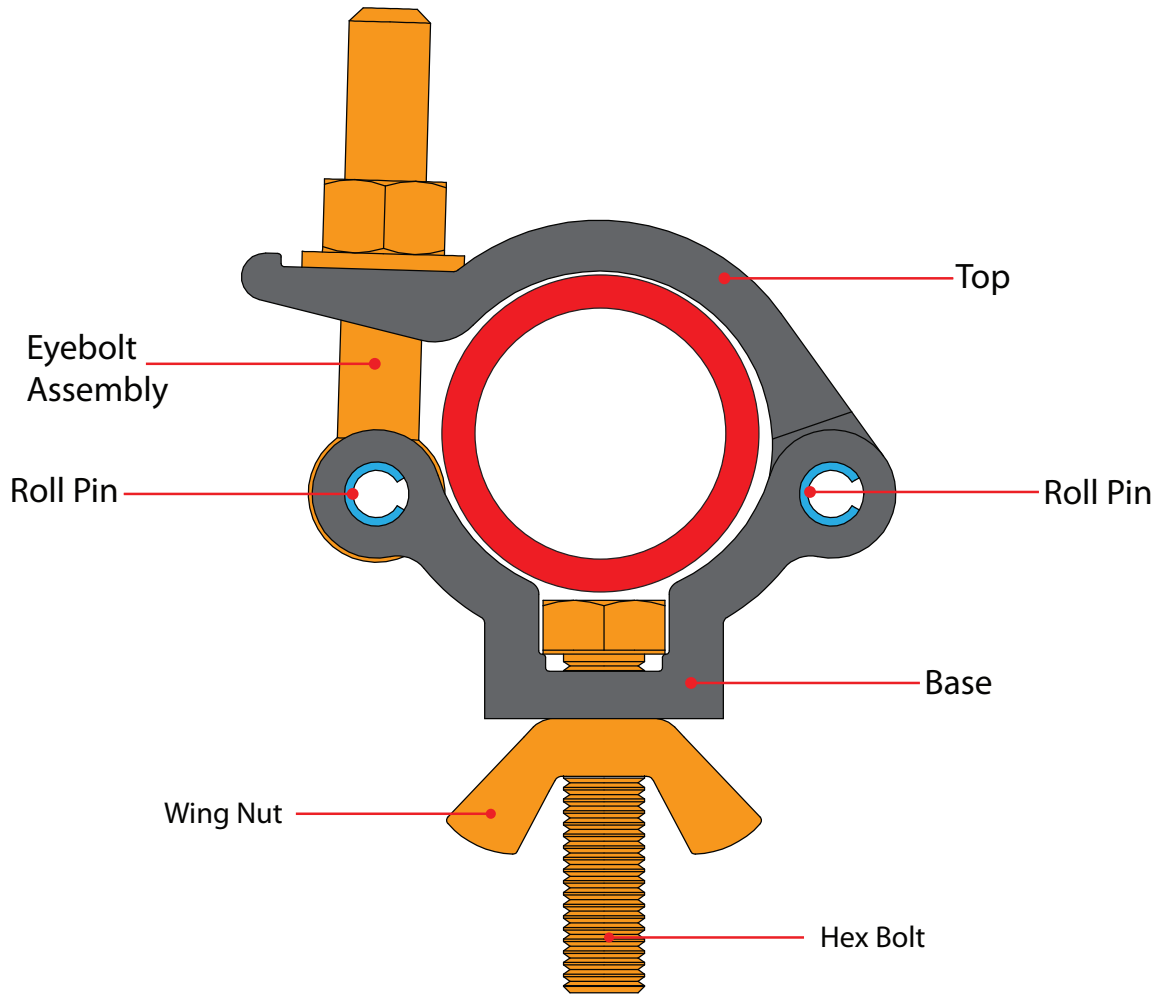
T58105 / T58106 Lightweight Hook Clamp



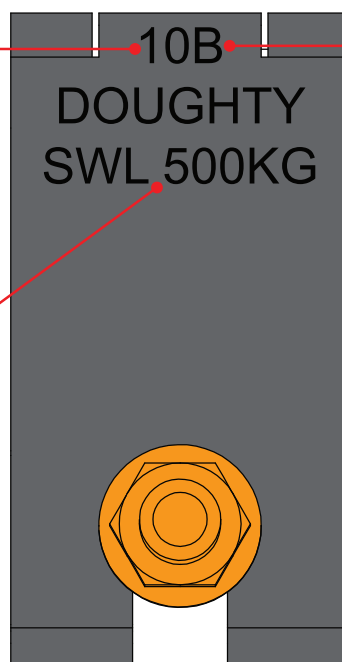
Version 02/11



www.doughty-usa.com



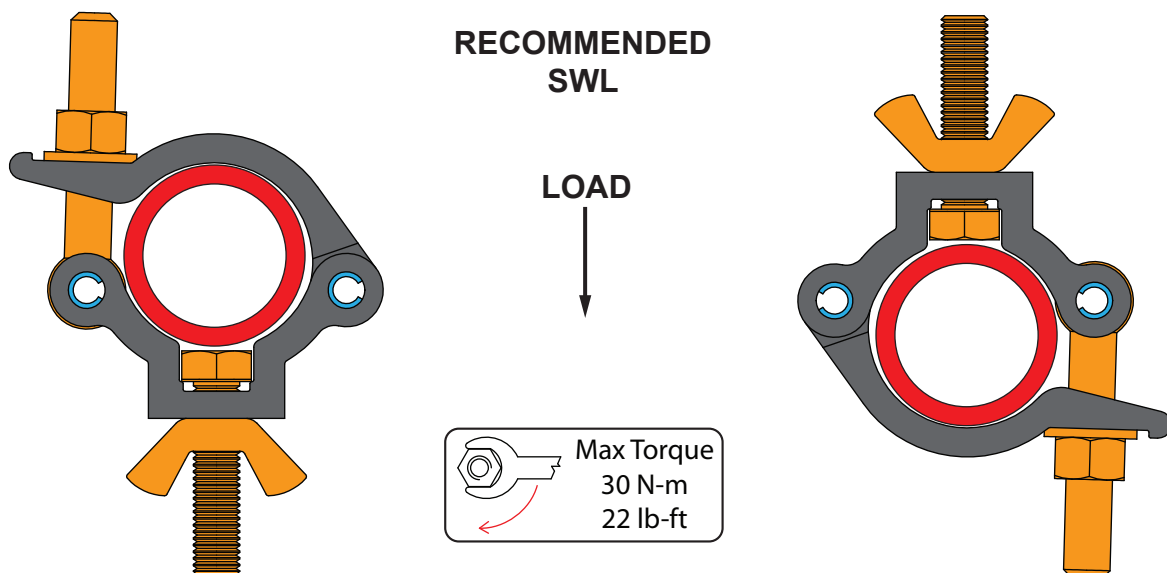
Year of Manufacturer
i.e. - 09 = 2009
10 = 2010
11 = 2011



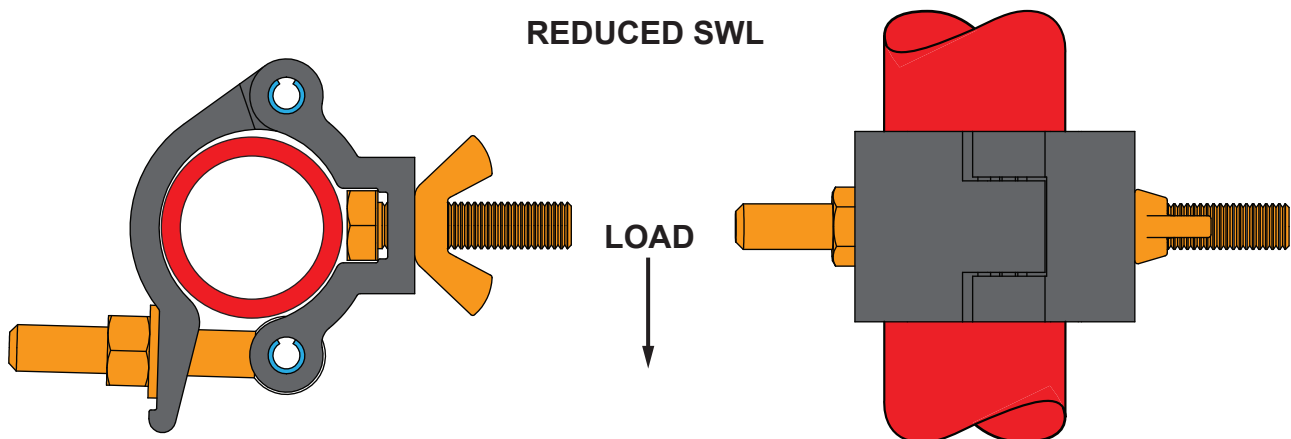
Month of Manufacturer
i.e. - A = Jan
B = Feb
C = March

Safe Working Load

1. Never exceed the Safe Working Load (SWL) shown on the clamp.
2. Only use the clamp within the designed tube parameters (2")
3. All clamps should be visually inspected before use. In the event of any damage the clamp should be taken out of service and returned to an 'Approved Doughty Service Agent' for inspection. (see our dealer locator on our web site for a comprehensive list of Authorised Service Agents)
4. When used in conjunction with other accessories, care must be taken to ensure that the minimum SWL of any component is not exceeded.
5. Doughty Engineering Ltd does not recommend using any clamps which do not fully encompass the tube for overhanging. All open clamps including hookclamps should be used in a vertical orientation only.



THE FOLLOWING APPLICATIONS WILL RESULT IN THE RECOMMENDED SWL BEING REDUCED DEPENDANT ON THE TUBE SURFACE FINISH & TORQUE SETTINGS APPLIED. PROOF LOADING ON INSTALLATIONS IS RECOMMENDED.





DOUGHTY ENGINEERING LTD

DATA SHEET

TITLE: DOUGHTY L/W HOOK CLAMP

PART NOS:

T58105 - SILVER

T58106 - BLACK

MATERIAL :

WEIGHT:

0.75 lbs

SWL:

1102 lbs

FINISH:

T58105 - POLISHED

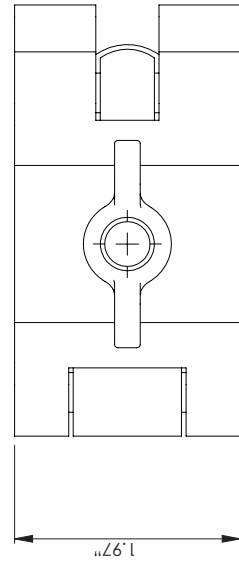
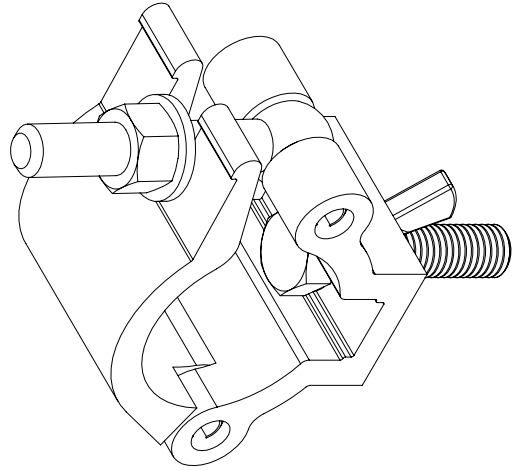
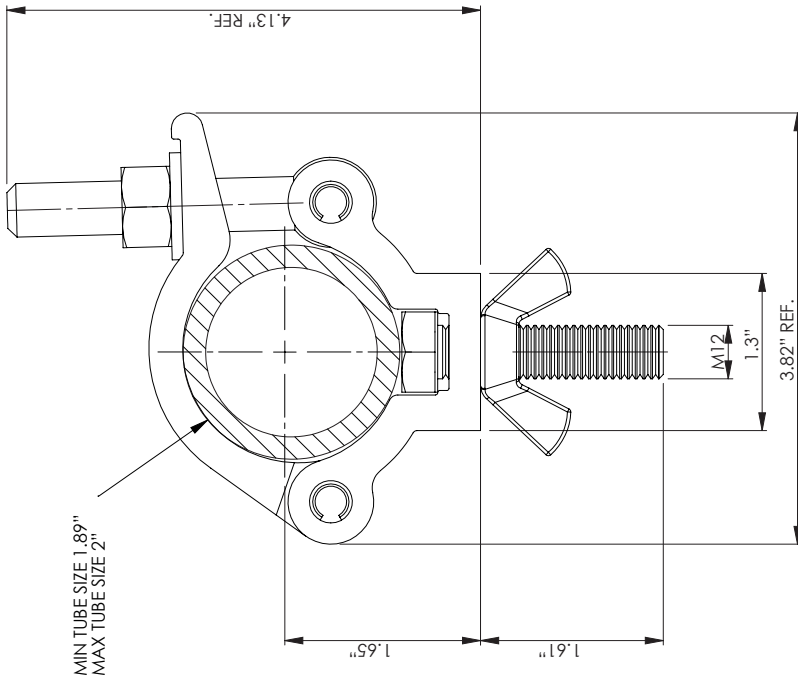
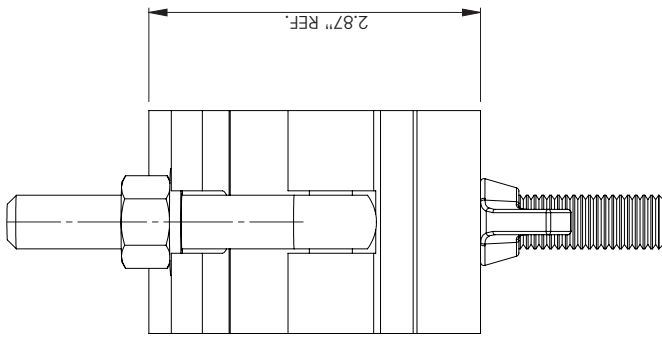
T58106 - POWDER PAINTED BLACK

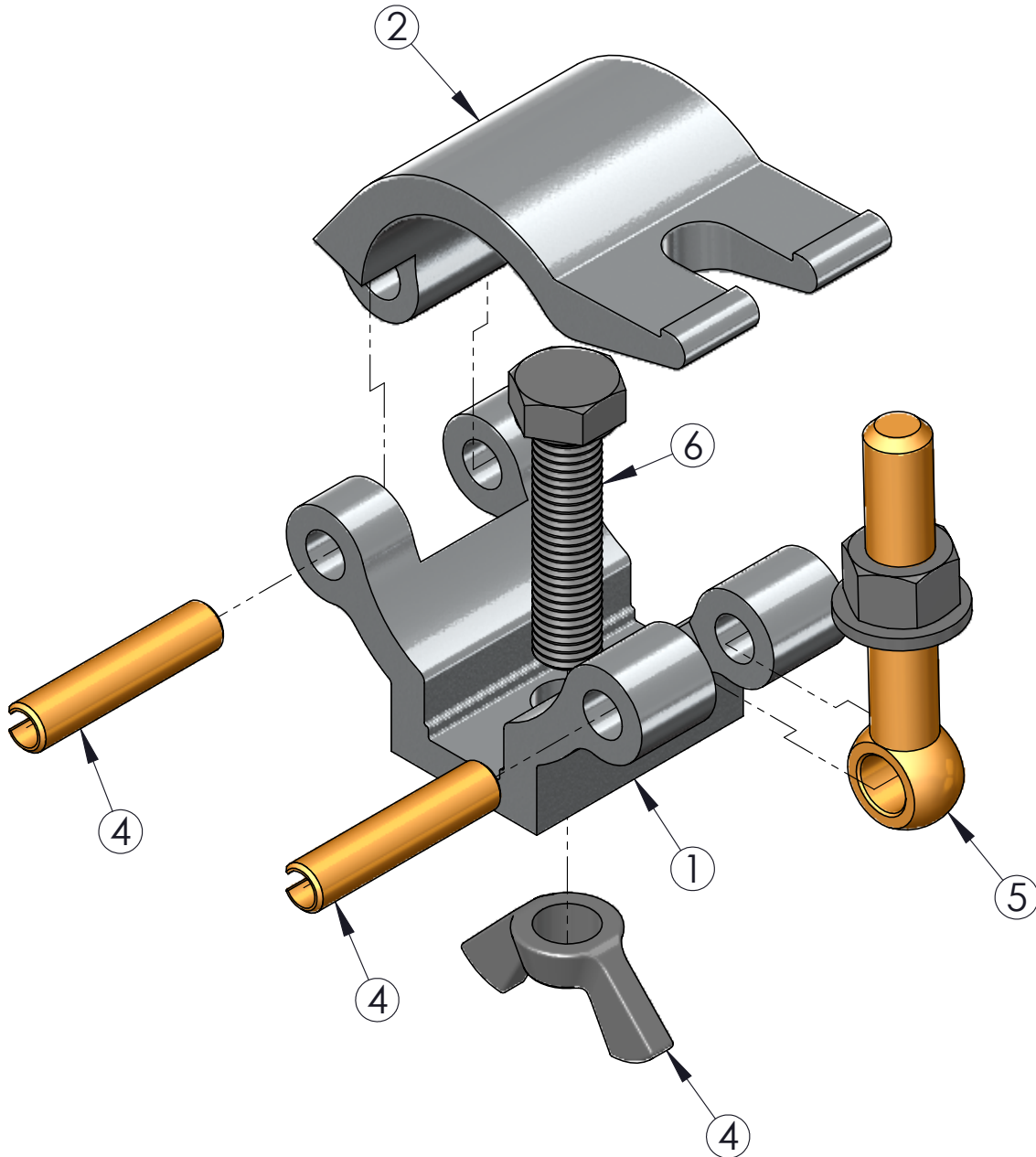
NOTES:

MIN TUBE SIZE - 1.89"

MAX TUBE SIZE - 2"

STRICTLY FOR REFERENCE PURPOSES ONLY





DOUGHTY PRODUCTS MUST ONLY BE SERVICED / REPAIRED BY
AN AUTHORISED SERVICE AGENT.
SPARE PARTS ARE ONLY AVAILABLE TO THESE AGENTS

ITEM NO.	PART NUMBER	DESCRIPTION	Spares/QTY.
1	TH640	MACHINED L/W DOUGHTY CLAMP BASE	1
2	TH257	MACHINED L/W DOUGHTY CLAMP TOP	1
4	F790	0.375" X 1.75" STAINLESS STEEL ROLL PIN	2
4	F883	M12 WING NUT	1
5	T78005	M12 X 104 EYEBOLT ASSEMBLY	1
6	F836	M12 x 50 SET	1

T58105 - DOUGHTY L/W HOOK CLAMP



NOT TO SCALE

DRAWN	AW
DATE	26/01/2011
Rev	1



Doughty Engineering Limited

CROW ARCH LANE, RINGWOOD, HANTS, BH24 1NZ. ENGLAND

Telephone: +44 (0) 1425 478961 Fax: +44 (0) 1425 474481

www.doughty-engineering.co.uk

email:sales@doughty-engineering.co.uk

EC DECLARATION OF CONFORMITY

Doughty Engineering Limited hereby certify that the equipment stated below has been designed to comply with all relevant sections of the specifications referenced below and complies with all the applicable Essential Requirements of the EC Directives and amendments and the National Laws and Regulations adopting these Directives.

Description: Lightweight Hook Clamp

Model/s: Part No. T58105 / T58106

SWL: 500Kg **Factor:** 5:1

are in conformity with the provision of the following EC Directives:

MACHINERY DIRECTIVE 98/37/EC

Harmonised Standards applied:

EN 292-1-2:1991

BS EN ISO 9001:1994

National Technical Standards & Specifications applied:

BS 7905-1:2001

Signed:  Date:23-04-08

Name: Nigel Curtis Position: Technical Director

Being the responsible person appointed by the manufacturer.



DEQ 083 Rev 4

Company Registration No. London 972614
Registered Office: Crow Arch Lane, Ringwood, Hants, BH24 1NZ
Directors: M.B.Lister. J.C.G. Chiverton. N.D. Curtis. S.C. Wright





Doughty Engineering USA

401 So. Mount Juliet Road
Suite #235/145
Mount Juliet
TN. 37122

Ph: (615) 470-5255 Fx: (615) 470-5389

email: doughtyusa@gmail.com

Web: www.doughty-usa.com

Note: Whilst every effort has been made to ensure that the information contained within this manual is correct, Doughty Engineering does not accept any liability for errors or omissions. Specifications and technical data are intended for guidance purposes only and may vary.