



# User Manual

[www.doughty-usa.com](http://www.doughty-usa.com)

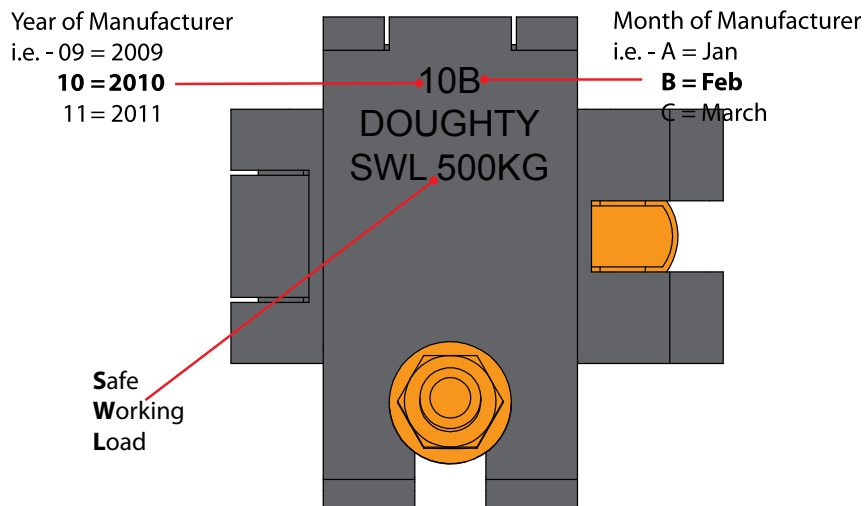
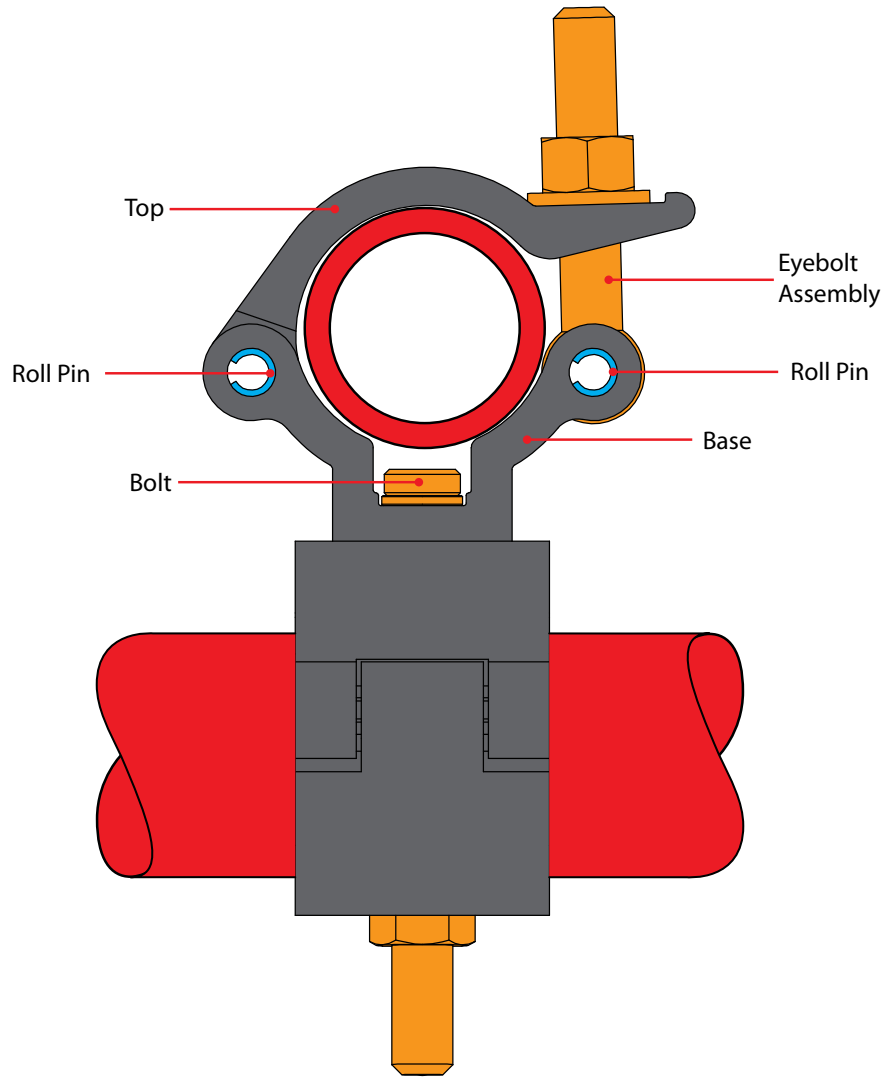
## T58110/11 Lightweight 90° Fixed Coupler



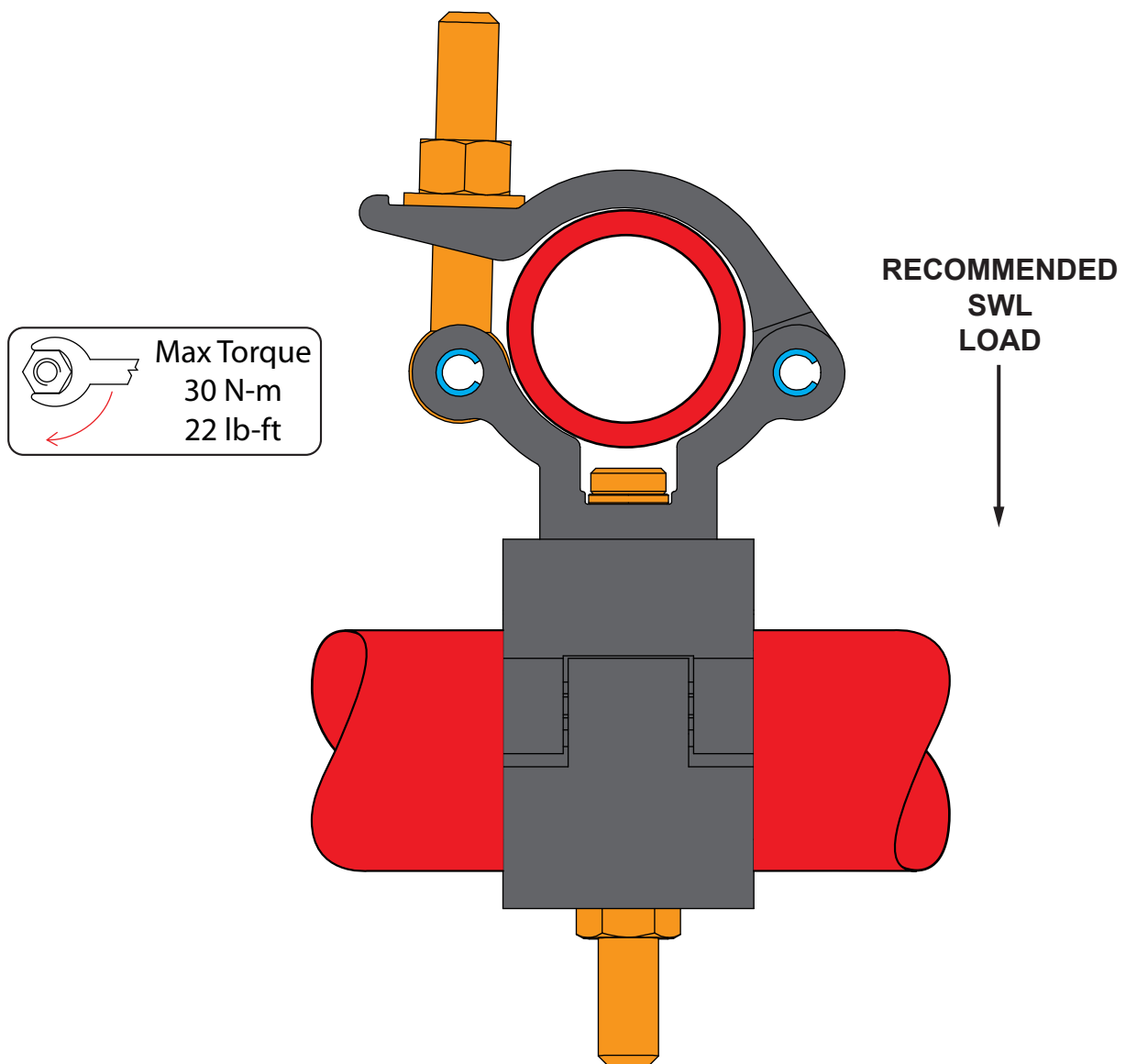
Version 02/11





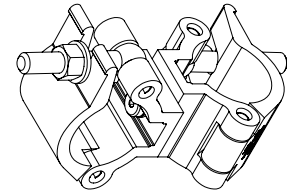
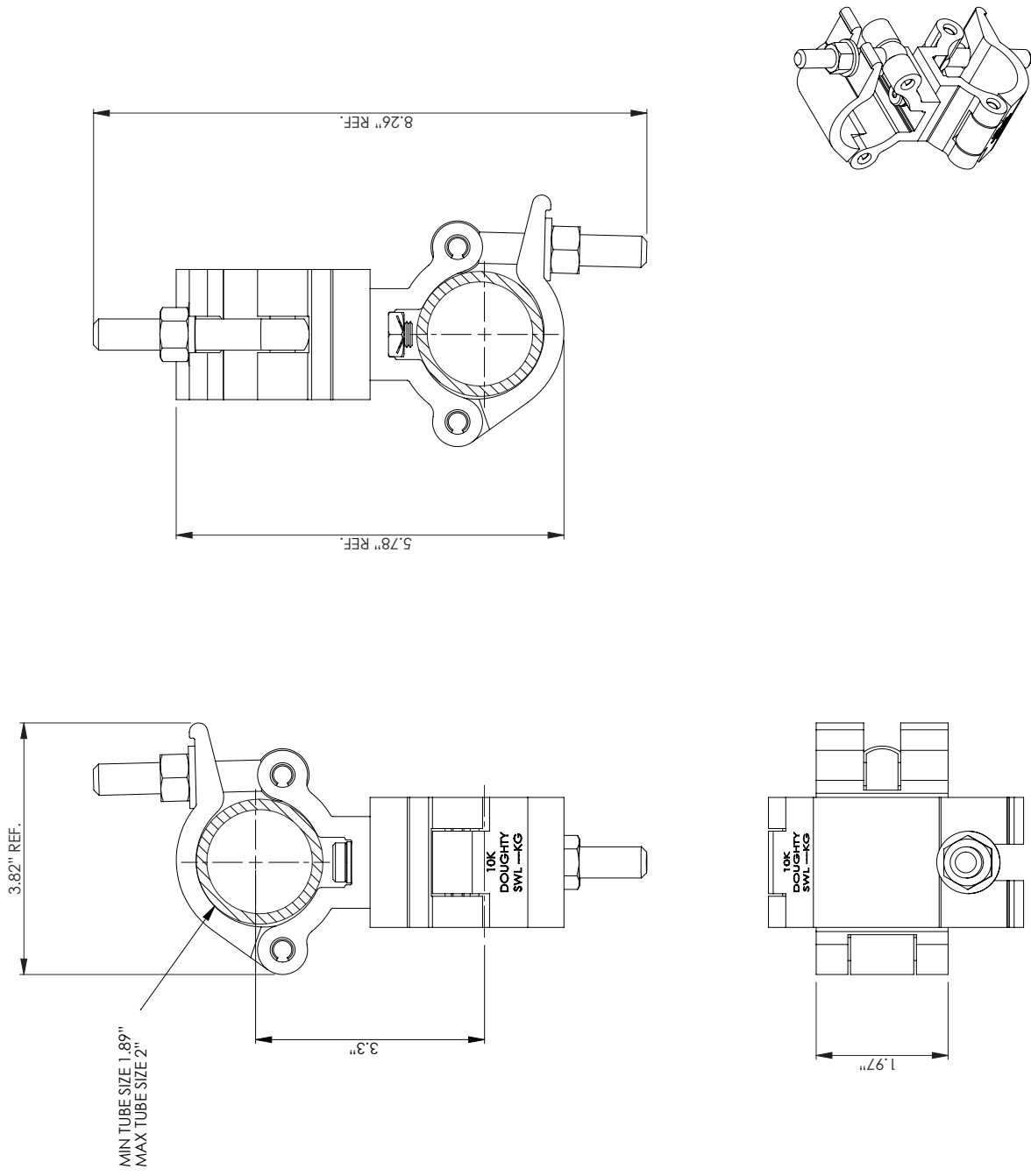
[www.doughty-usa.com](http://www.doughty-usa.com)

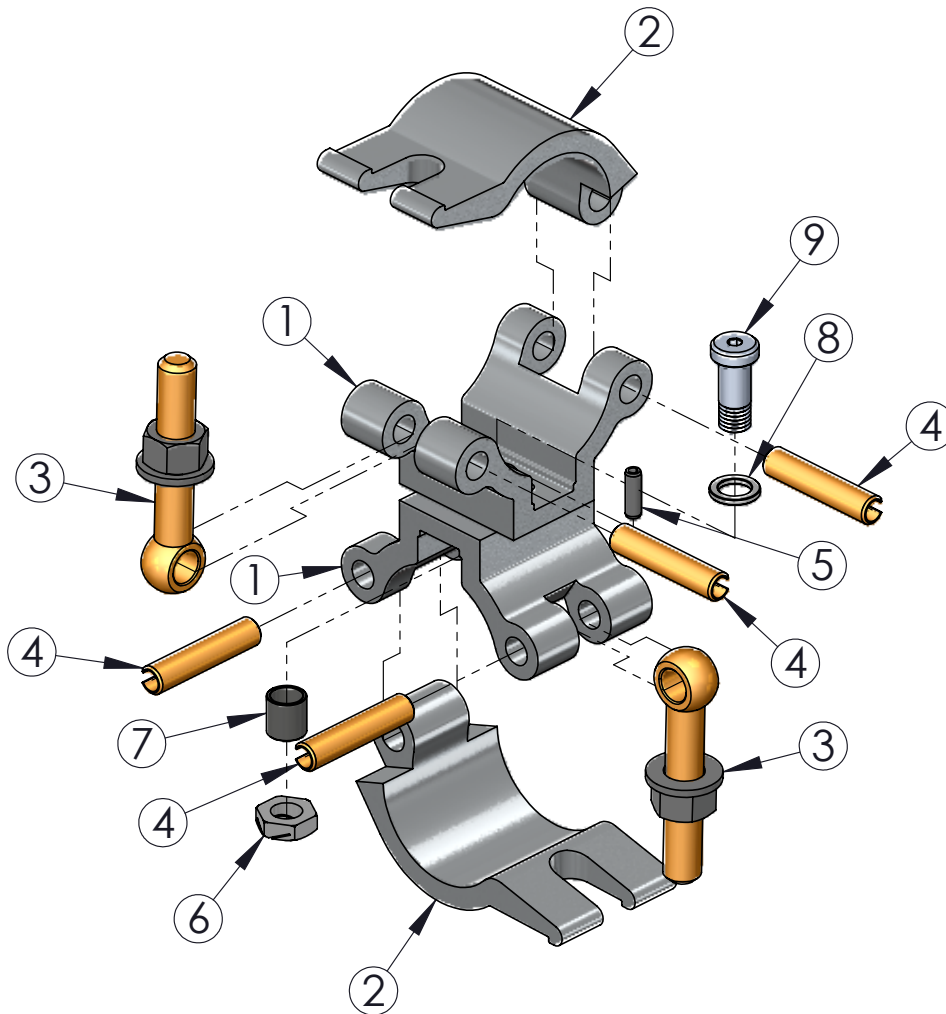


1. Never exceed the Safe Working Load (SWL) shown on the clamp.
2. Only use the clamp within the designed tube parameters (2")
3. All clamps should be visually inspected before use. In the event of any damage the clamp should be taken out of service and returned to an 'Approved Doughty Service Agent' for inspection. (see our dealer locator on our web site for a comprehensive list of Authorised Service Agents).
4. When used in conjunction with other accessories, care must be taken to ensure that the minimum SWL of any component is not exceeded.
5. Doughty Engineering Ltd does not recommend using any clamps which do not fully encompass the tube for overhanging. All open clamps including hookclamps should be used in a vertical orientation only.



 DOUGHTY ENGINEERING LTD	<h2>DATA SHEET</h2>	TITLE: DOUGHTY L/W 90° FIXED COUPLER PART NOS: T58110 MATERIAL : ALUMINIUM WEIGHT: 1.67 lbs SWL: 1102 lbs FINISH: POLISHED	NOTES: PARALLEL AND 90 DEGREE FIXED VERSIONS ARE AVAILABLE	<h3>STRICTLY FOR REFERENCE PURPOSES ONLY</h3>	 THIRD ANGLE PROJECTION
--	---------------------	---	---	---	---





DOUGHTY PRODUCTS MUST ONLY BE SERVICED / REPAIRED BY  
AN AUTHORISED SERVICE AGENT.  
SPARE PARTS ARE ONLY AVAILABLE TO THESE AGENTS

ITEM NO.	PART NUMBER	DESCRIPTION	Spares/QTY.
1	TH640	MACHINED L/W DOUGHTY CLAMP BASE	2
2	TH257	MACHINED L/W DOUGHTY CLAMP TOP	2
3	T78005	M12 X 70 EYEBOLT ASSEMBLY	2
4	F790	0.375" X 1.75" STAINLESS STEEL ROLL PIN	4
5	F770	M5 x 16 Roll Pin S/Colour	1
6	F888	M10 BINX NUT BZP REDUCED	1
7	F997	LIGHTWEIGHT CLAMP SPACER TUBE	1
8	TH1082	M10 ALUMINIUM WASHER - S1931	1
9	F995	M10 x 25 REDUCED HEAD SOCKET CAP	1

## T58110 - DOUGHTY L/W 90° FIXED COUPLER



NOT TO SCALE

DRAWN

DATE

Rev

AW

01/02/2011

1



**Doughty Engineering Limited**

CROW ARCH LANE, RINGWOOD, HANTS, BH24 1NZ. ENGLAND

Telephone: +44 (0) 1425 478961 Fax: +44 (0) 1425 474481

www.doughty-engineering.co.uk

email:sales@doughty-engineering.co.uk

**EC DECLARATION OF CONFORMITY**

Doughty Engineering Limited hereby certify that the equipment stated below has been designed to comply with all relevant sections of the specifications referenced below and complies with all the applicable Essential Requirements of the EC Directives and amendments and the National Laws and Regulations adopting these Directives.

**Description:** Lightweight Fixed Coupler

**Model/s:** Part No. T58110 / T58111

**SWL:** 500Kg      **Factor:** 5:1

are in conformity with the provision of the following EC Directives:

MACHINERY DIRECTIVE 98/37/EC


**Harmonised Standards applied:**

EN 292-1-2:1991

BS EN ISO 9001:1994

**National Technical Standards & Specifications applied:**

BS 7905-1:2001

Signed:  Date:23-04-08

Name: Nigel Curtis      Position: Technical Director

Being the responsible person appointed by the manufacturer.



DEQ 083 Rev 4

Company Registration No. London 972614  
Registered Office: Crow Arch Lane, Ringwood, Hants, BH24 1NZ  
Directors: M.B.Lister. J.C.G. Chiverton. N.D. Curtis. S.C. Wright





**Doughty Engineering USA**

401 So. Mount Juliet Road  
Suite #235/145  
Mount Juliet  
TN. 37122

Ph: (615) 470-5255 Fx: (615) 470-5389

email: [doughtyusa@gmail.com](mailto:doughtyusa@gmail.com)

Web: [www.doughty-usa.com](http://www.doughty-usa.com)

Note: Whilst every effort has been made to ensure that the information contained within this manual is correct, Doughty Engineering does not accept any liability for errors or omissions. Specifications and technical data are intended for guidance purposes only and may vary.