



User Manual

www.doughty-usa.com

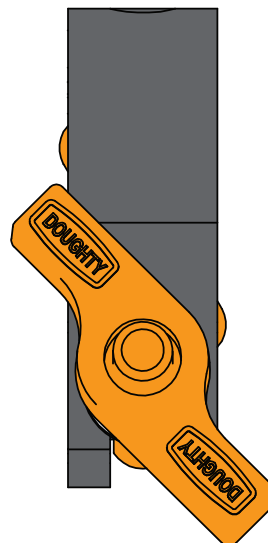
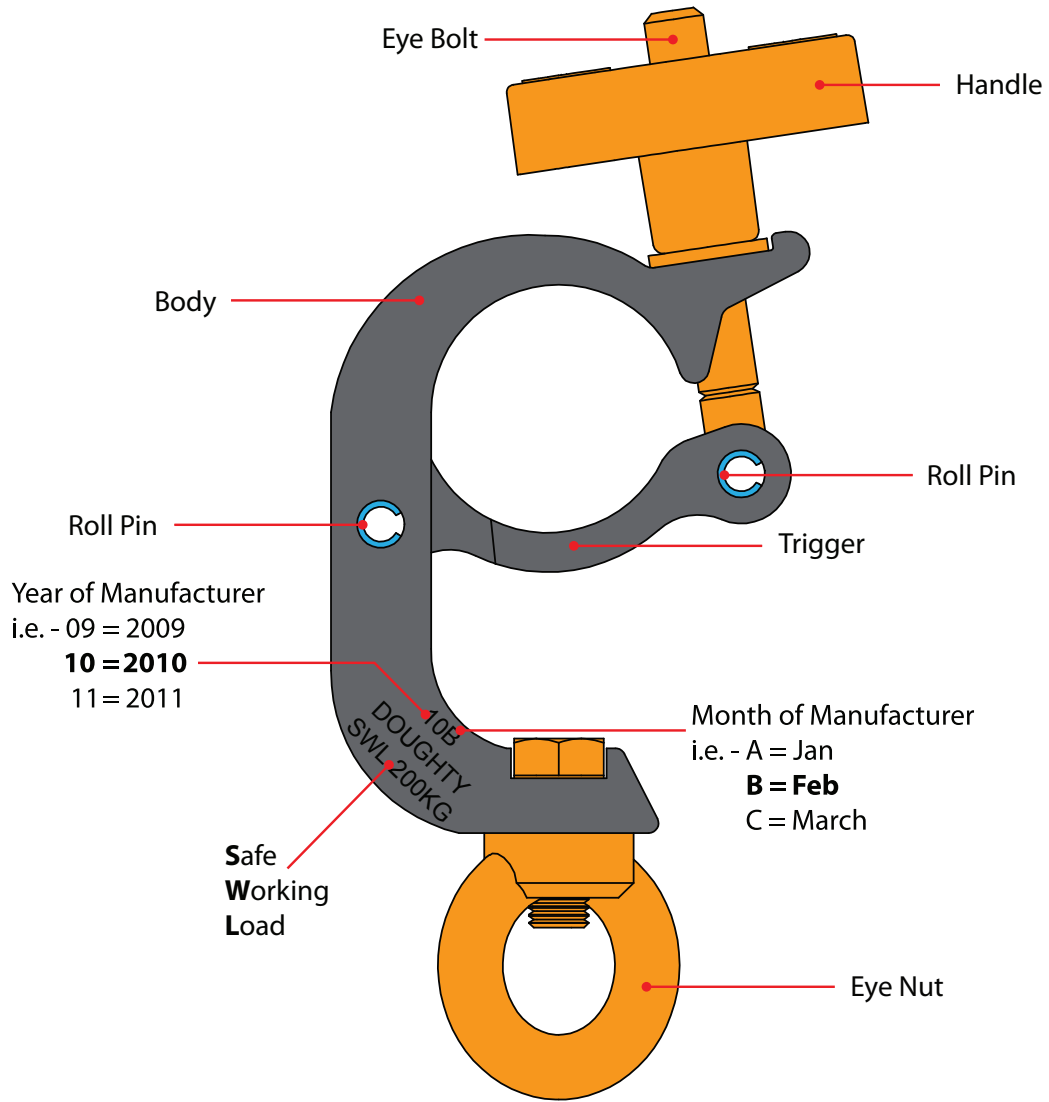
T58862 / T5886201 Trigger[®] Hanging Clamp



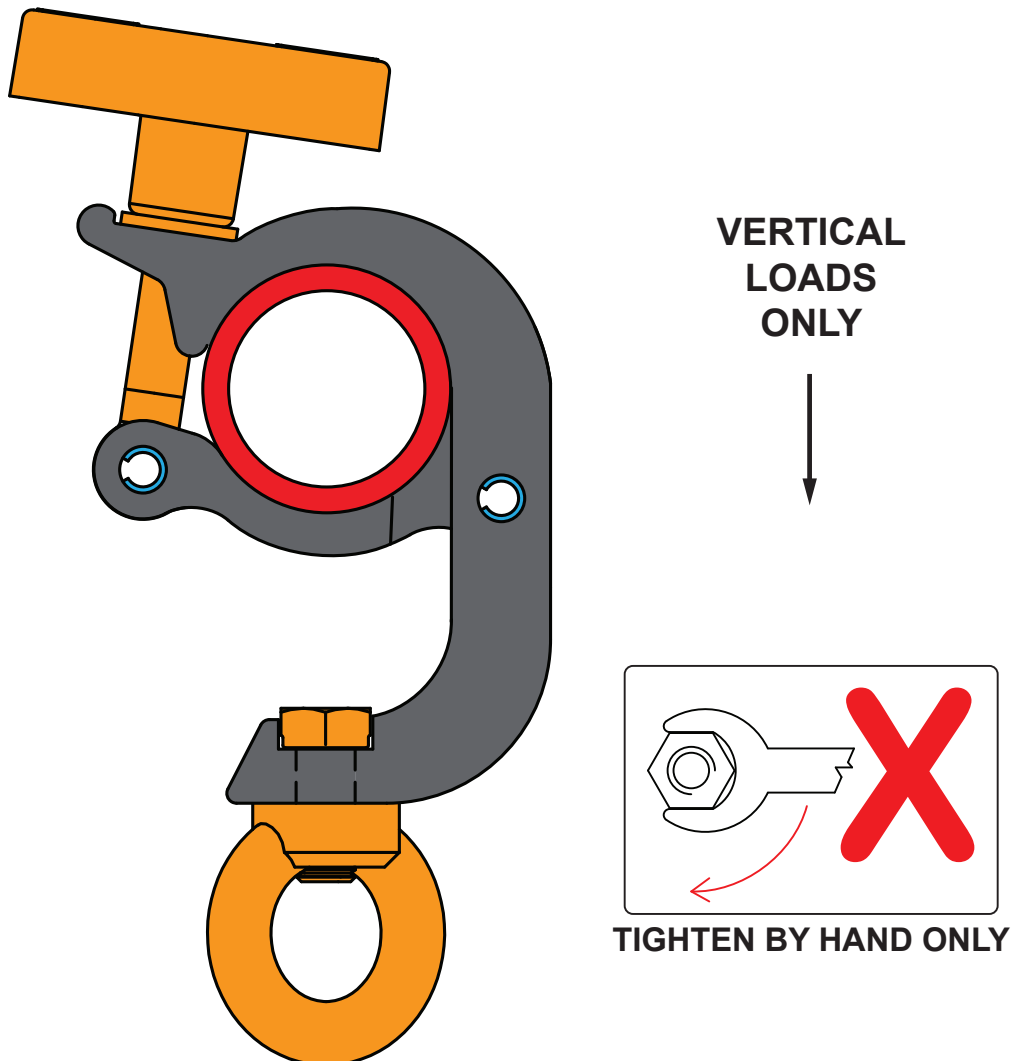
Version 06/11





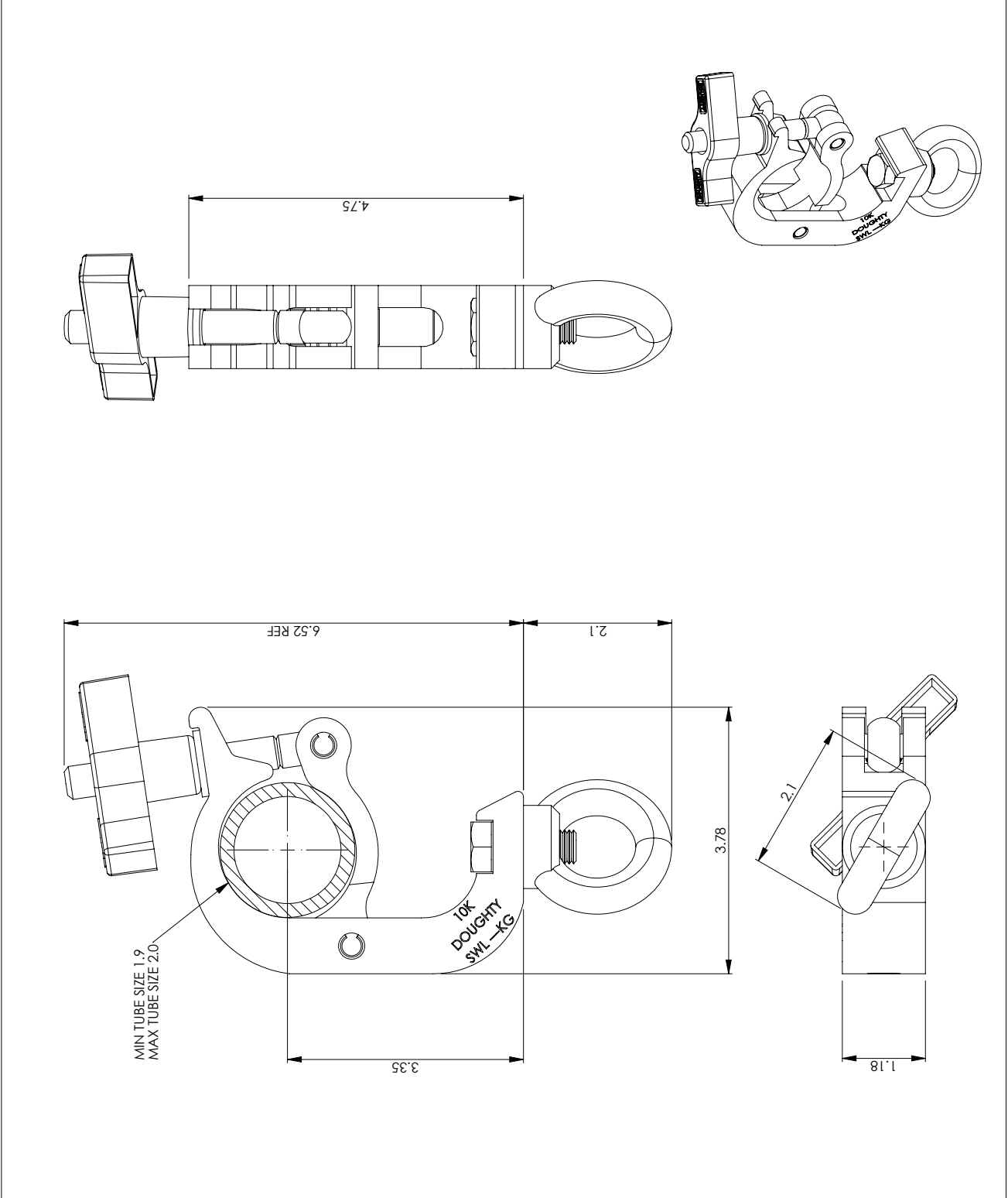
www.doughty-usa.com

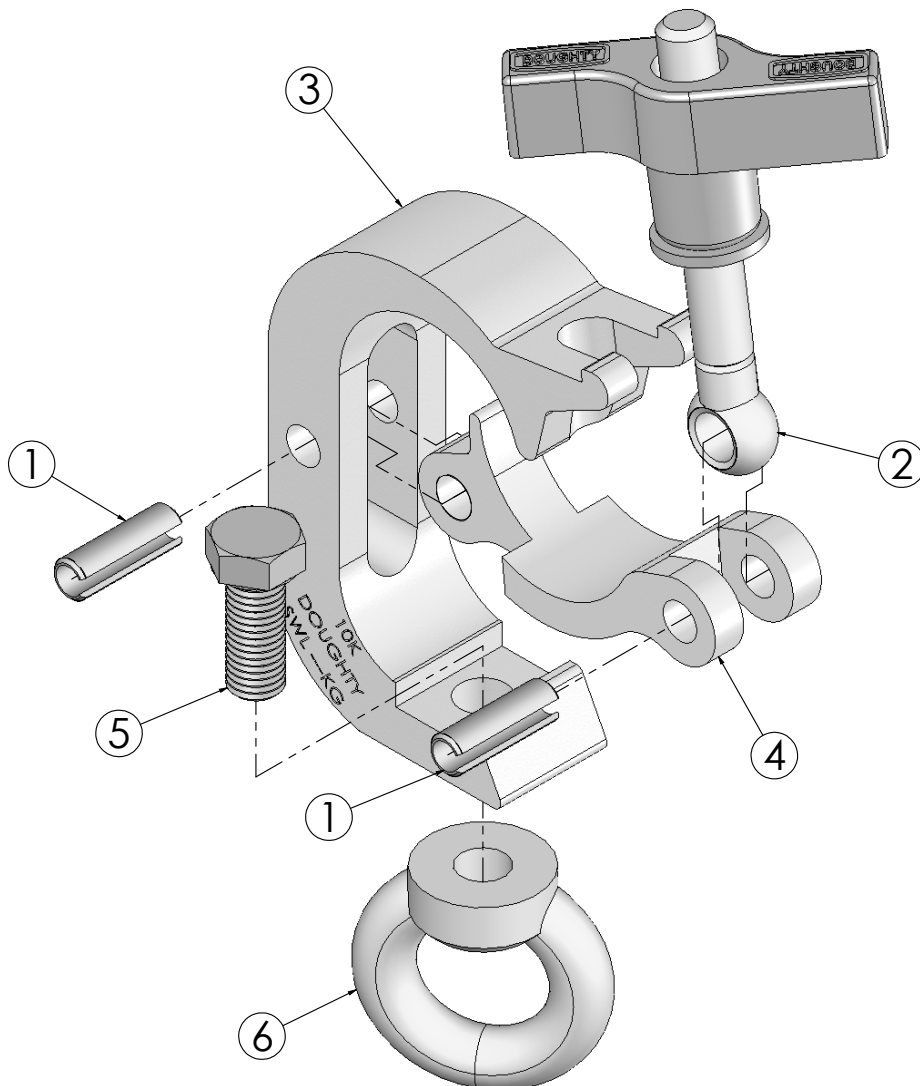


1. Never exceed the Safe Working Load (SWL) shown on the clamp.
2. Only use the clamp within the designed tube parameters (2")
3. All clamps should be visually inspected before use. In the event of any damage the clamp should be taken out of service and returned to an 'Approved Doughty Service Agent' for inspection. (see our dealer locator on our web site for a comprehensive list of Authorised Service Agents)
4. When used in conjunction with other accessories, care must be taken to ensure that the minimum SWL of any component is not exceeded.
5. Doughty Engineering Ltd does not recommend using any clamps which do not fully encompass the tube for overhanging. All open clamps including hookclamps should be used in a vertical orientation only.



 DOUGHTY ENGINEERING LTD	<h1>DATA SHEET</h1>
TITLE: TRIGGER HANGING CLAMP	PART NOS: T58862 - SILVER T5886201 - BLACK
MATERIAL: ALUMINIUM	WEIGHT: 1.6lb SWL: 440lb
FINISH: T58862 - POLISHED T5886201 - POWDER PAINTED BLACK	NOTES:
<p>STRICTLY FOR REFERENCE PURPOSES ONLY</p>  <p>THIRD ANGLE PROJECTION</p>	





**DOUGHTY PRODUCTS MUST ONLY BE SERVICED / REPAIRED BY
AN AUTHORISED SERVICE AGENT.
SPARE PARTS ARE ONLY AVAILABLE TO THESE AGENTS**

ITEM NO.	PART NUMBER	DESCRIPTION	Spares/QTY.
1	F791	STAINLESS STEEL ROLLPIN 3/8" X 1 1/8"	2
2	T78053	M12 X 104 EYEBOLT ASSY BLACK	1
3	TH013	MACHINED TRIGGER CLAMP BASE	1
4	TH1304	MACHINED TRIGGER CLAMP TRIGGER	1
5	F832	M12 X 30 SET BZP	1
6	T42300	M12 EYENUT (340Kg SWL)	1

T58862 - TRIGGER HANGING CLAMP		DRAWN	AW
	NOT TO SCALE	DATE	08.09.11
		Rev	1



Doughty Engineering Limited

CROW ARCH LANE, RINGWOOD, HANTS, BH24 1NZ. ENGLAND

Telephone: +44 (0) 1425 478961 Fax: +44 (0) 1425 474481

www.doughty-engineering.co.uk

email:sales@doughty-engineering.co.uk

EC DECLARATION OF CONFORMITY

Doughty Engineering Limited hereby certify that the equipment stated below has been designed to comply with all relevant sections of the specifications referenced below and complies with all the applicable Essential Requirements of the EC Directives and amendments and the National Laws and Regulations adopting these Directives.

Description: Trigger Hanging Clamp

Model/s: Part No. T58862 / T5886201

SWL: 200Kg **Factor:** 5:1

are in conformity with the provision of the following EC Directives:

MACHINERY DIRECTIVE 98/37/EC


Harmonised Standards applied:

EN 292-1-2:1991

BS EN ISO 9001:1994

National Technical Standards & Specifications applied:

BS 7905-1:2001

Signed: 

Date:15-09-11

Name: Stephen Wright

Position: Director

Being the responsible person appointed by the manufacturer.



DEQ 083 Rev 4

Company Registration No. London 972614
Registered Office: Crow Arch Lane, Ringwood, Hants, BH24 1NZ
Directors: M.B.Lister. J.C.G. Chiverton. N.D. Curtis. S.C. Wright





Doughty Engineering USA

401 So. Mount Juliet Road

Suite #235/145

Mount Juliet

TN. 37122

Ph: (615) 470-5255 Fx: (615) 470-5389

email: doughtyusa@gmail.com

Web: www.doughty-usa.com

Note: Whilst every effort has been made to ensure that the information contained within this manual is correct, Doughty Engineering does not accept any liability for errors or omissions. Specifications and technical data are intended for guidance purposes only and may vary.