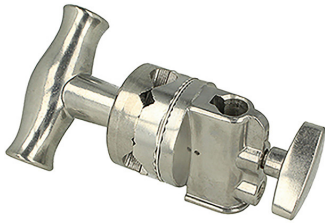




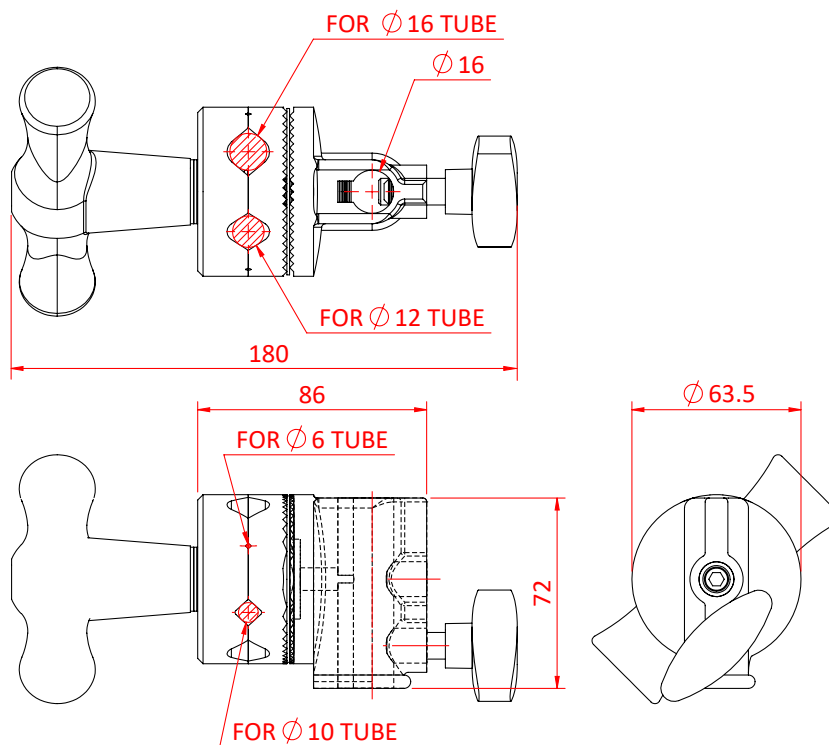
# Small Gripheads

## Product Data Sheet



A 65mm Griphead with an offset Ø16mm receiver	
<b>Part Nos</b>	G1210 - Silver G121001 - Black
<b>Receiver Diameter</b>	Ø16mm
<b>Works With</b>	Ø6,10,12 &16mm pins/arms
<b>Materials</b>	Cast Aluminium
<b>WLL</b>	Not Rated
<b>Weight</b>	0.70Kg

Dimensions in mm



DIMENSIONS ARE A GUIDE ONLY AND MAY VARY

Doughty Engineering Ltd - Crow Arch Lane, Ringwood, Hampshire, BH24 1NZ, UK  
+44 (0) 1425 478961, sales@doughty-engineering.co.uk - www.doughty-engineering.co.uk