



# Double Extensions

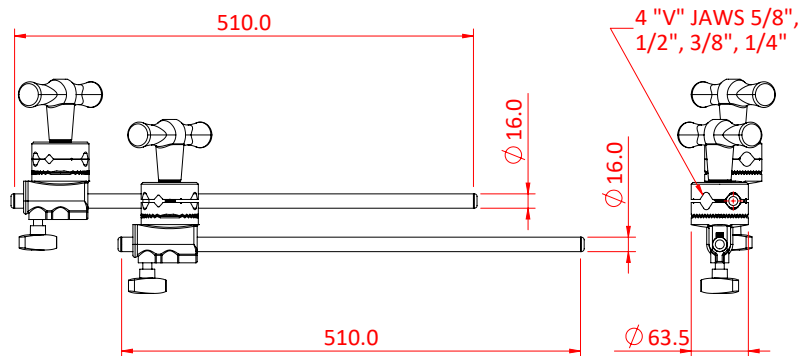
## Product Data Sheet



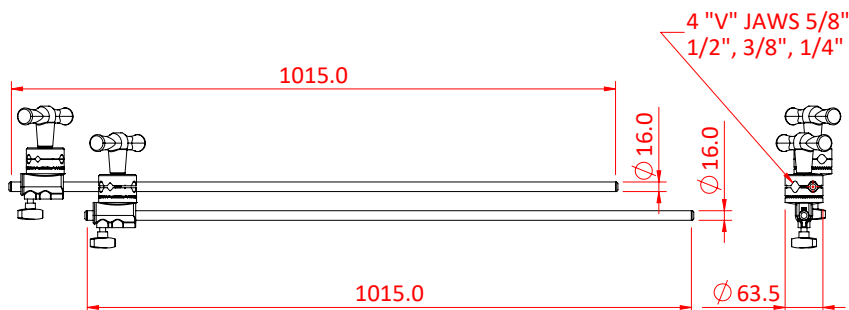
A pair of gripheads fitted with extension arms	
<b>Part Nos</b>	G1240 - 500mm x 16mm - 1.58Kg G1245 - 1000mm x 16mm - 2.14Kg
<b>Diameter</b>	Ø16mm
<b>Materials</b>	Stainless Steel Cast Aluminium
<b>WLL</b>	Not Rated

Dimensions in mm

### G1240



### G1245



DIMENSIONS ARE A GUIDE ONLY AND MAY VARY