



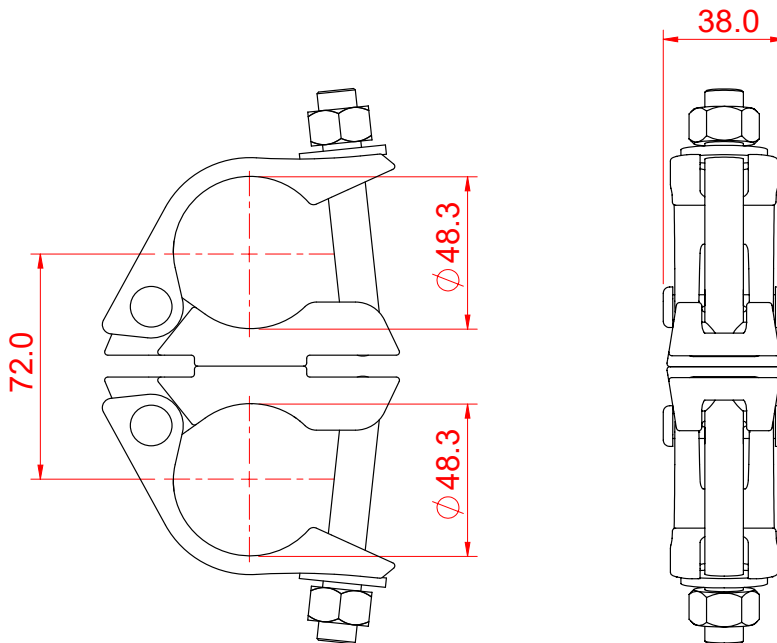
Forged Swivel Coupler

Product Data Sheet



A drop forged swivel coupler	
Part Nos	T24801
Tube Diameter	Ø48.3mm (1.90")
Finish	Galvanised
Max Tightening Torque	50Nm
Weight	1.08Kg (2.38 lbs)
WLL	This coupler is NOT Load Rated

Dimensions in mm



DIMENSIONS ARE A GUIDE ONLY AND MAY VARY