



Multifix Brackets

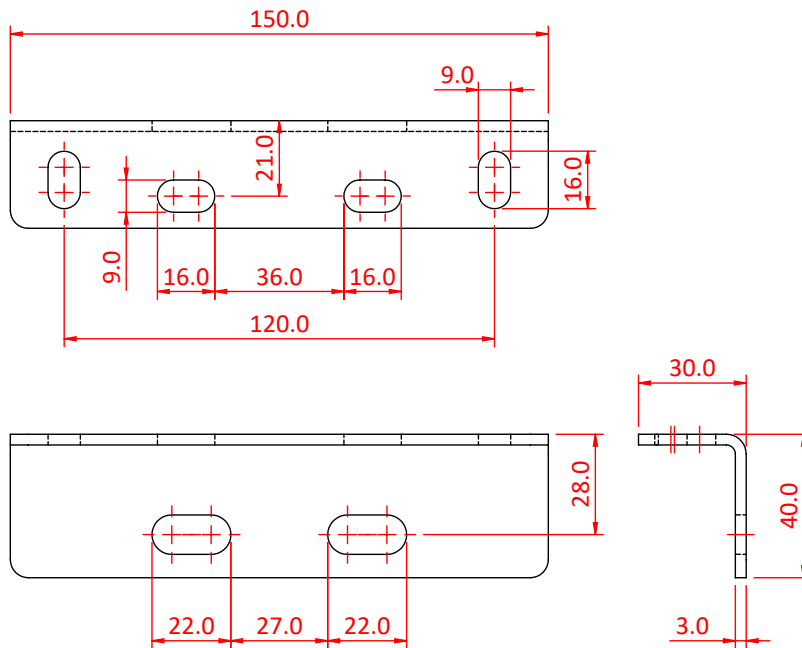
Product Data Sheet



A pair of Multifix Brackets to suit Standard Pulleys	
Part Nos	T42860 - without 'U' Bolts T42861 - with 'U' Bolts
Material	S275 Mild Steel
Finish	Powder Painted
WLL	150Kg
Safety Factor	5:1

Dimensions in mm

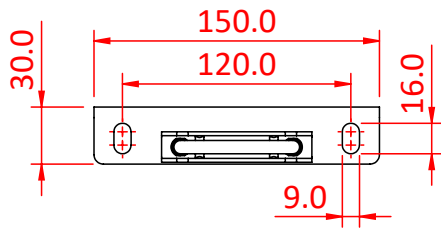
T42860



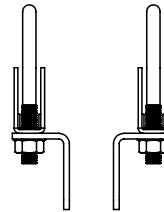
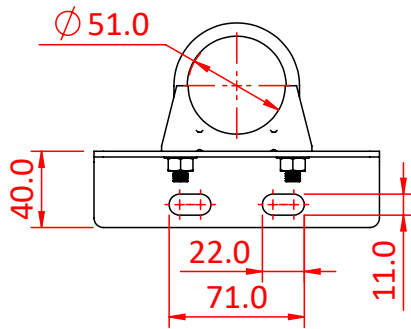
SUPPLIED IN PAIRS

Doughty Engineering Ltd - Crow Arch Lane, Ringwood, Hampshire, BH24 1NZ, UK
+44 (0) 1425 478961, sales@doughty-engineering.co.uk - www.doughty-engineering.co.uk

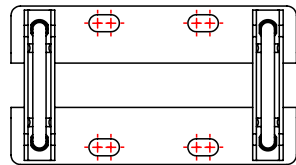
T42861



SUPPLIED IN PAIRS



CAN ALSO BE USED IN AN INLINE
ORIENTATION WITH SINGLE
PULLEYS.



INLINE BRACKETS CAN BE FIXED TO
PULLEY SIZES DOUBLE TO QUIN
UPON SPECIAL REQUEST.

