



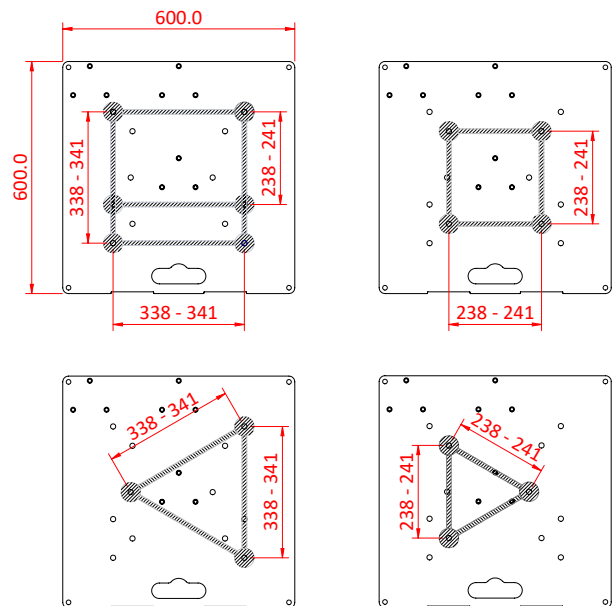
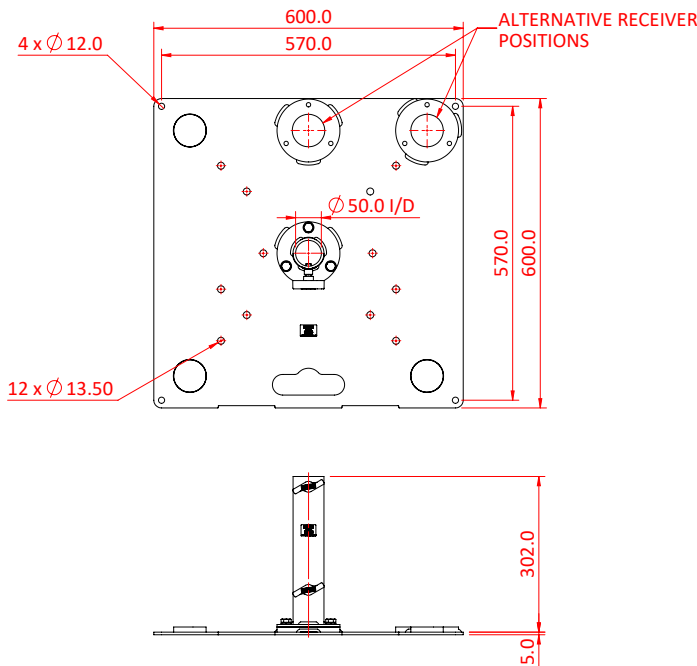
Tank Trap 3 Position

Product Data Sheet



A Tank Trap designed to have the Receiver in 3 Positions.	
Part Nos	T54265
Receiver	To Suit 48mm (1.89")
Finish	Powder Paint
Materials	Mild Steel
WLL	17Kg
Weight	18.50Kg (40.70 lbs)

Dimensions in mm



TANK TRAP BASE USED AS TRUSS MOUNTING PLATE
(BASE PLATE INVERTED)