



Aluminium Braced Boom Arms

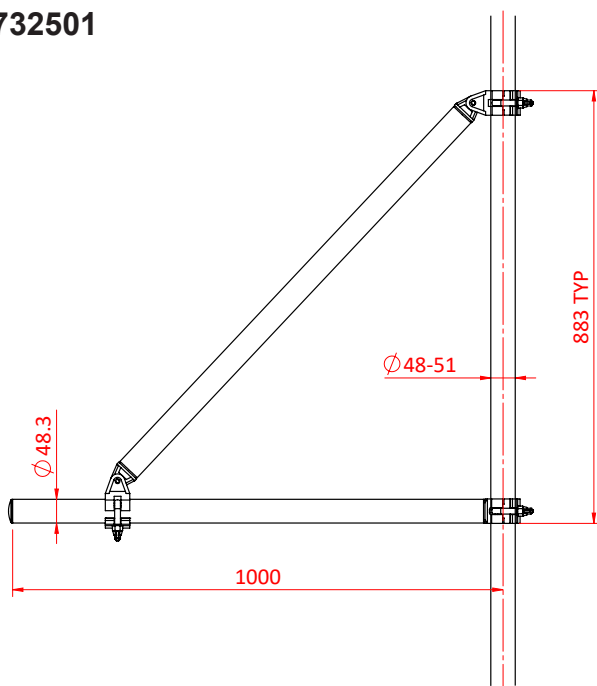
Product Data Sheet



| A 1000mm (39.37") Braced Boom Arm | |
|-----------------------------------|--|
| Part Nos & Finish | T57325 - Powder painted silver T5732501 - Powder painted black T57328 - Powder painted silver (Brace only) T5732801 - Powder painted black (Brace only) |
| Tube Diameter | Ø48 - 51mm (1.89" - 2.01") |
| Materials | Main Body - AW6082 T6 Aluminium Roll Pins - Stainless Steel Eyebolt Assy - Grade 8.8 |
| Max Tightening Torque | 30Nm |
| WLL | 100Kg |
| Safety Factor | 5:1 |
| Weight | 5.11Kg (11.26 lbs) 3.02Kg (6.66 lbs) - Brace only |

Dimensions in mm

**T57325 &
T5732501**



**T57328 &
T5732801**

