



Scaff Boom Arms

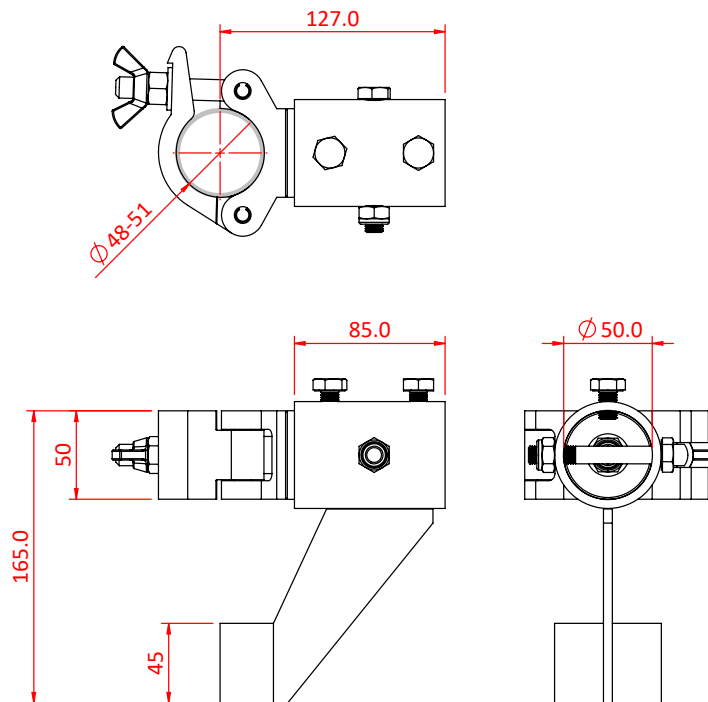
Product Data Sheet

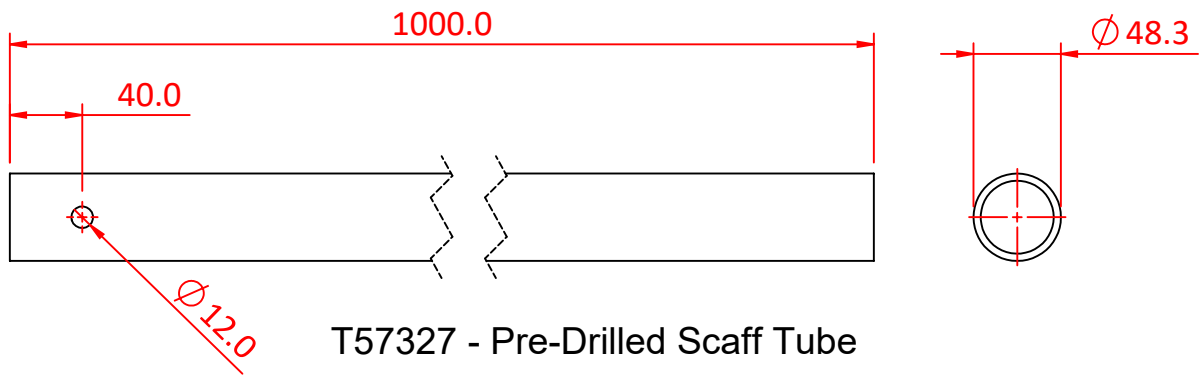


A Scaff Boom Arm	
Part Nos	T57326 T57327 - Pre-Drilled Scaff Tube
Tube Diameter	Ø48 - 51mm (39.37")
Materials	Main Body - AW6082 T6 Aluminium Roll Pins - Stainless Steel Eyebolt Assy - Grade 8.8
Max Tightening Torque	30Nm
WLL	See page 3
Safety Factor	5:1
Weight	T57326 - 1.81Kg (3.98 lbs) T57327 - 2.05Kg (4.53 lbs)

T57326

Dimensions in mm





T57327 - Pre-Drilled Scaff Tube



T57326 - Scaff Boom Arm Load Table

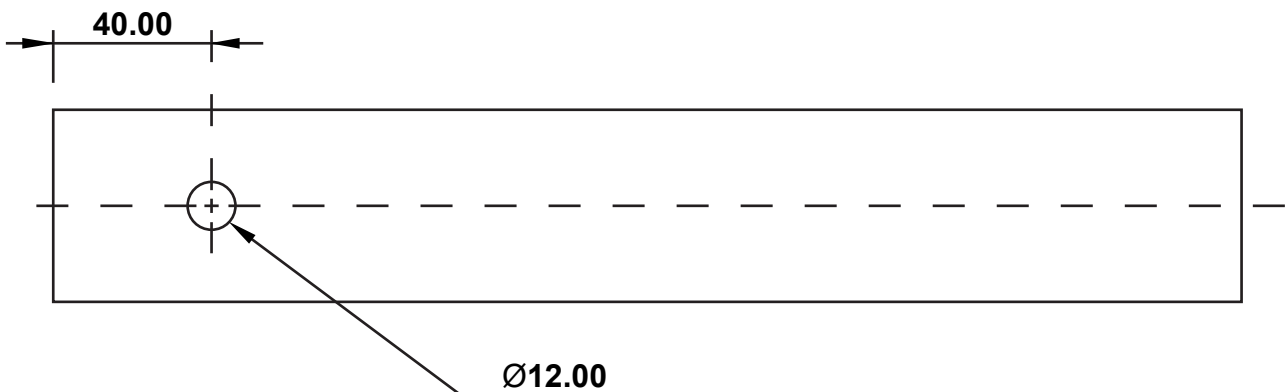
Ø48.3mm (1 29/32") x 7 SWG (6082 T6) Aluminium Barrel (EN AW-6082)			
Material	Length	WLL	Typical Deflection
Aluminium Barrel	250mm (9.84")	200Kg	4.0mm (0.16")
Aluminium Barrel	500mm (19.68")	100Kg	8.0mm (0.32")
Aluminium Barrel	750mm (29.53")	75Kg	14.0mm (0.55")
Aluminium Barrel	1000mm (39.37")	50Kg	21.0mm (0.83")

Ø48.3mm x 3.2mm Galvanised Steel Tube (EN39 European Standard)			
Material	Length	WLL	Typical Deflection
Galvanised Steel Tube	250mm (9.84")	200Kg	3.0mm (0.12")
Galvanised Steel Tube	500mm (19.68")	100Kg	6.0mm (0.24")
Galvanised Steel Tube	750mm (29.53")	75Kg	8.0mm (0.32")
Galvanised Steel Tube	1000mm (39.37")	50Kg	11.0mm (0.43")

Working Load Limits only apply to these sizes and grades of material.

If the material grade is unknown DO NOT USE.

Doughty Engineering Ltd stock both barrels/tubes.



Doughty Engineering Ltd can supply cut and drilled barrel/tube on request. Contact: sales@doughty-engineering.co.uk