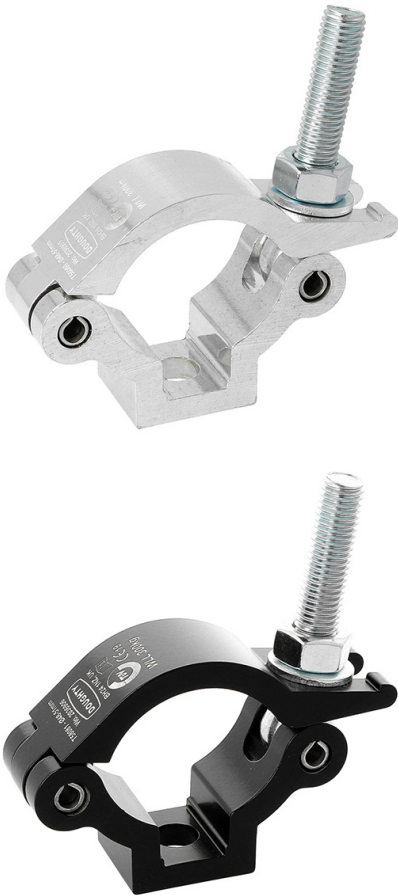




Slimline Lightweight Half Coupler



Product Data Sheet



| | |
|--|--|
| A high tensile extruded slimline half coupler Slotted to hold captive an M10 or M12 Nut or Bolt | |
| Part Nos | T58080 - Polished T58081 - Powder Painted Satin Black |
| Tube Diameter | Ø48 - 51mm (1.89" - 2.01") |
| Materials | Main Body - AW6082 T6 Aluminium Roll Pins - Stainless Steel Eyebolt Assy - Grade 8.8 |
| Max Tightening Torque | 30Nm |
| Fixings | To be used with M10 or M12 Fixings |
| WLL | 300Kg |
| Weight | 0.24Kg (0.54 lbs) |
| Factor of Safety | 5:1 |
| Approval | TÜV Approved |

Dimensions in mm

