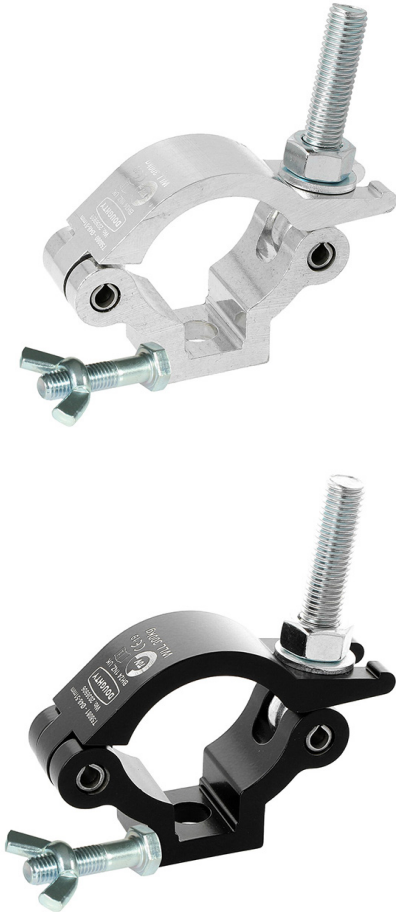


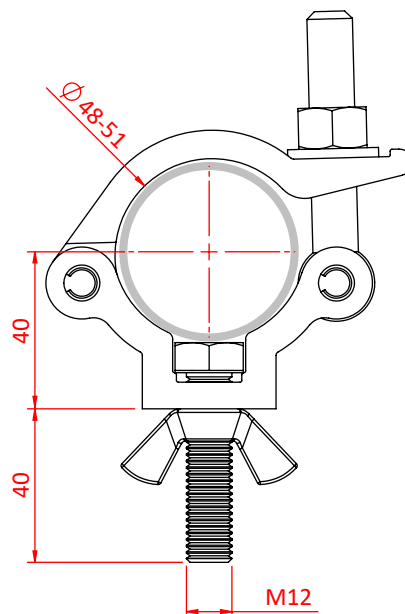
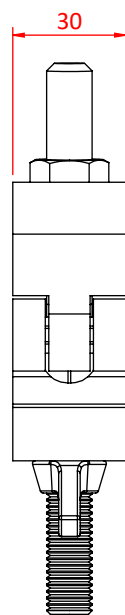


Product Data Sheet

Slimline Lightweight Hook Clamp Coupler



A high tensile extruded Slimline half coupler supplied with fixing kit	
Part Nos	T58085 - Polished T58086 - Powder Painted Satin Black
Tube Diameter	Ø48 - 51mm (1.89" - 2.01")
Materials	Main Body - AW6082 T6 Aluminium Roll Pins - Stainless Steel Eyebolt Assy - Grade 8.8
Max Tightening Torque	30Nm
Fixings	Supplied with M12x50 Bolt / Wing Nut
WLL	300Kg
Weight	0.32Kg (0.70 lbs)
Factor of Safety	5:1
Approval	TÜV Approved



Dimensions in mm