



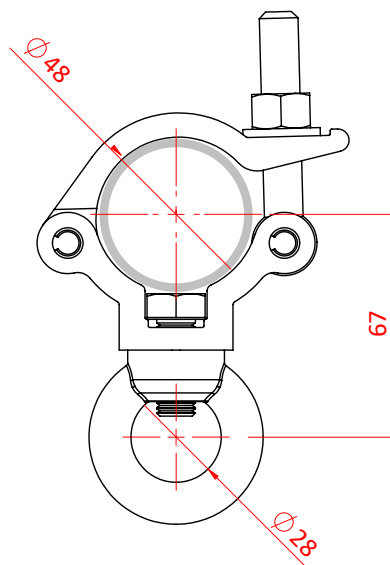
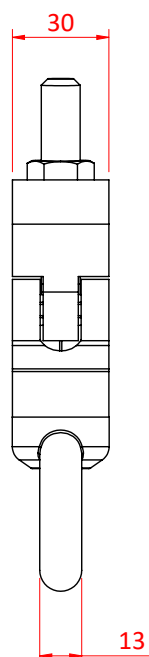
Slimline Lightweight Hanging Clamp



Product Data Sheet



| | |
|------------------------------------------------------------|--------------------------------------------------------------------------------------------|
| A slimline lightweight half coupler fitted with an Eye Nut | |
| Part Nos | T58089 - Polished T58090 - Powder Painted Satin Black |
| Tube Diameter | Ø48 - 51mm (1.89" - 2.01") |
| Materials | Main Body - AW6082 T6 Aluminium Roll Pins - Stainless Steel Eyebolt Assy - Grade 8.8 |
| Max Tightening Torque | 30Nm |
| Fixings | M12 Eye Nut |
| WLL | 300Kg Vertical Load |
| Weight | 0.34Kg (0.75 lbs) |
| Factor of Safety | 5:1 |
| Approval | TÜV Approved |



Dimensions in mm