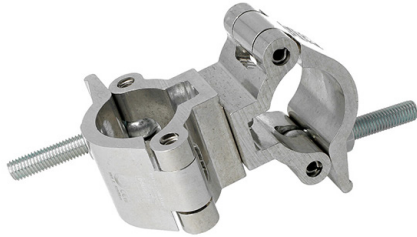




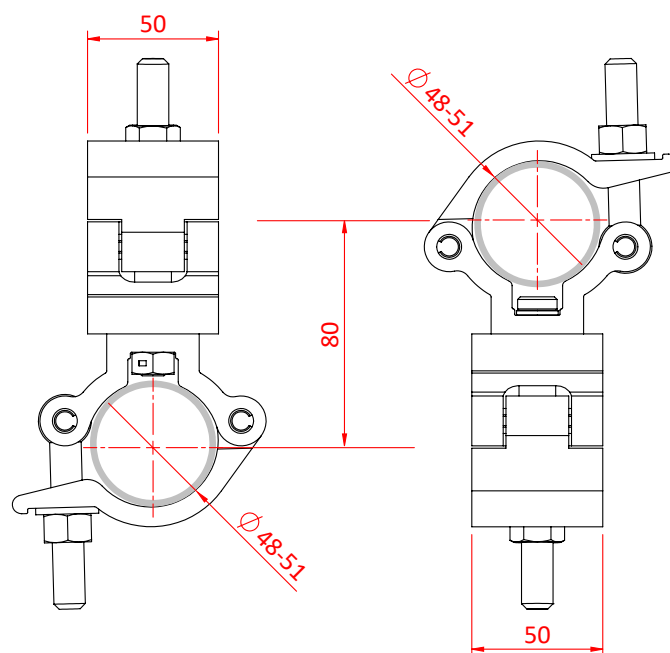
# Lightweight 90° Fixed Coupler



## Product Data Sheet



A pair of half couplers fixed at 90° which provide a firm fixing between two perpendicular bars.	
<b>Part Nos</b>	T58110 - Polished T58111 - Powder Painted Satin Black
<b>Tube Diameter</b>	Ø48 - 51mm (1.89" - 2.01")
<b>Materials</b>	Main Body - AW6082 T6 Aluminium Roll Pins - Stainless Steel Eyebolt Assy - Grade 8.8
<b>Max Tightening Torque</b>	30Nm
<b>Fixings</b>	N/A
<b>WLL</b>	500Kg
<b>Weight</b>	0.70Kg (1.55 lbs)
<b>Factor of Safety</b>	5:1
<b>Approval</b>	TÜV Approved



Dimensions in mm