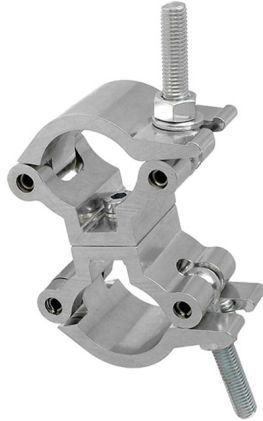


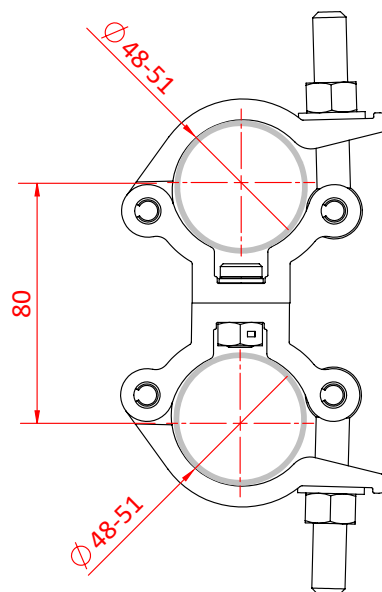
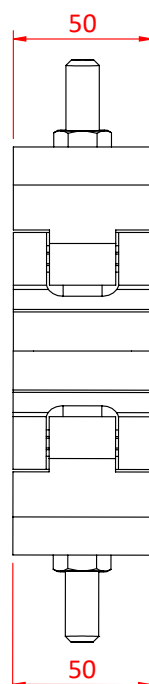


Product Data Sheet

Lightweight Parallel Coupler



A pair of half couplers which provide a firm fixing between two parallel bars.	
Part Nos	T58115 - Polished T58116 - Powder Painted Satin Black
Tube Diameter	Ø48 - 51mm (1.89" - 2.01")
Materials	Main Body - AW6082 T6 Aluminium Roll Pins - Stainless Steel Eyebolt Assy - Grade 8.8
Max Tightening Torque	30Nm
Fixings	N/A
WLL	500Kg
Weight	0.71Kg (1.56 lbs)
Factor of Safety	5:1
Approval	TÜV Approved



Dimensions in mm