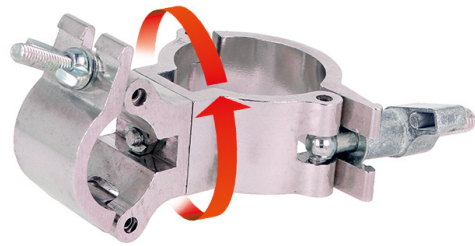




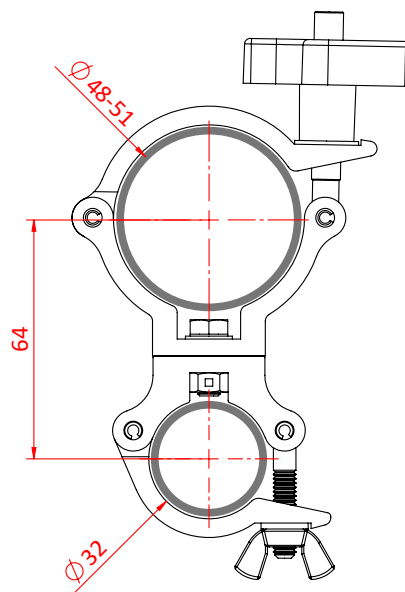
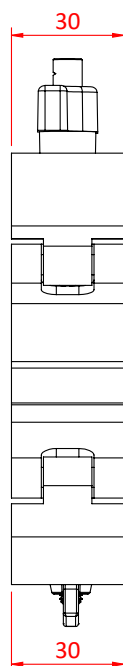
# Super Lightweight to Atom Coupler



## Product Data Sheet



A super lightweight half coupler and 32mm (1.26") atom coupler	
<b>Part Nos</b>	T58133 - Polished T5813301 - Powder Painted Satin Black
<b>Tube Diameter</b>	Ø48 - 51mm (1.89" - 2.01") & Ø32mm (1.26")
<b>Materials</b>	Main Body - AW6082 T6 Aluminium Roll Pins - Stainless Steel Eyebolt - Grade 8.8
<b>Max Tightening Torque</b>	Hand-tight Only
<b>Fixings</b>	N/A
<b>WLL</b>	100Kg
<b>Weight</b>	0.29Kg (0.64 lbs)
<b>Factor of Safety</b>	5:1
<b>Approval</b>	TÜV Approved



Dimensions in mm