

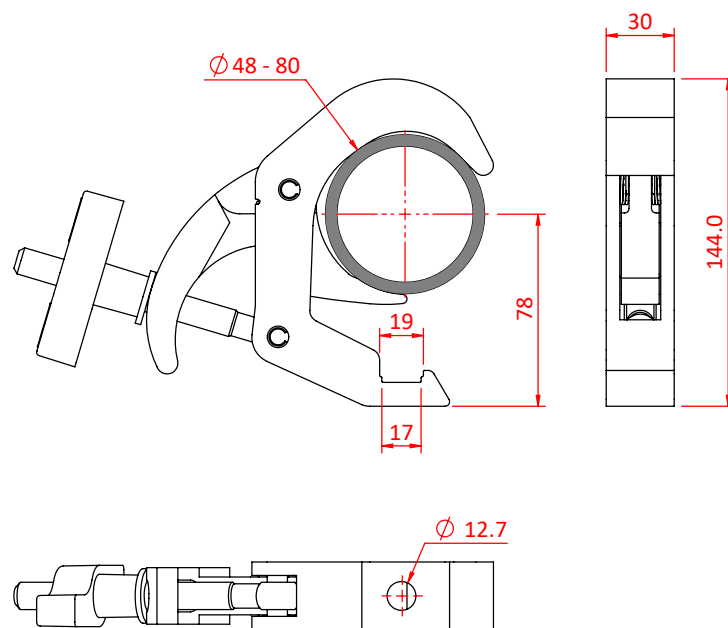


Product Data Sheet

# Titan Quick Trigger Clamp



A Titan Quick Trigger clamp with a slotted body to hold captive an M10 or M12 nut or bolt	
<b>Part Nos</b>	T58500 - Polished T58501 - Powder Painted Satin Black
<b>Tube Diameter</b>	Ø48 - 80mm (1.89" to 3.15")
<b>Materials</b>	Main Body - AW6082 T6 Aluminium Roll Pins - Stainless Steel Eyebolt Assy - Grade 8.8
<b>Max Tightening Torque</b>	Hand-tight Only
<b>Fixings</b>	To be used with M10 or M12 Fixings
<b>WLL</b>	100Kg
<b>Weight</b>	0.69Kg (1.53 lbs)
<b>Factor of Safety</b>	5:1
<b>Approval</b>	TÜV Approved



Dimensions in mm