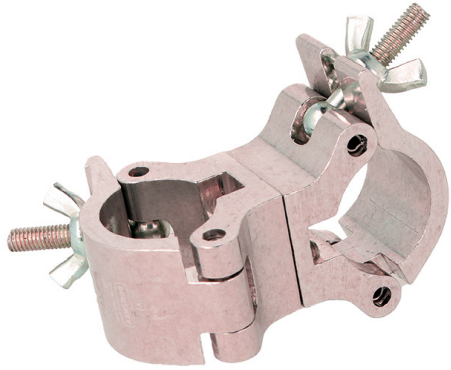




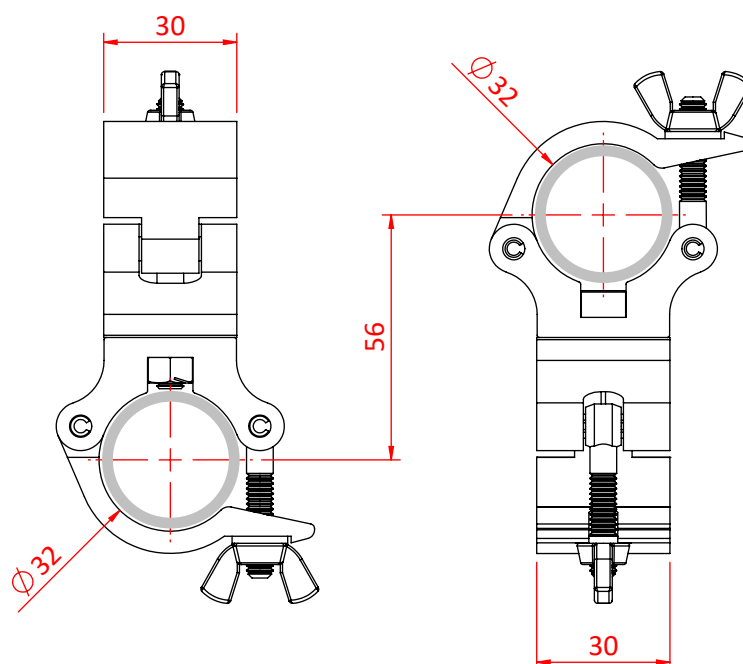
1¼" - 32mm Atom 90° Fixed Coupler



Product Data Sheet



An Atom 90° coupler	
Part Nos	T58820 - Silver T5882001 - Black
Tube Diameter	Ø1¼" - 32mm
Materials	Main Body - AW6082 T6 Aluminium Roll Pins - Stainless Steel Eyebolt Assy - Grade 8.8
Max Tightening Torque	Hand Tighten
Tube Centres	56mm (2.20")
WLL	100Kg
Weight	0.17Kg (0.37 lbs) - Silver 0.18Kg (0.40 lbs) - Black
Factor of Safety	5:1
Approval	TÜV Approved



Dimensions in mm