

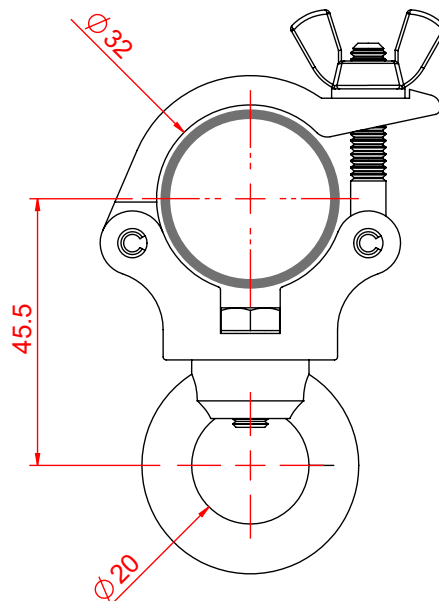
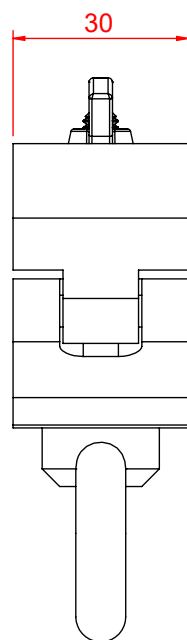


Product Data Sheet

1 1/4" - 32mm Atom Hanging Clamp



An Atom Hanging Clamp with an M6 Eynut	
Part Nos	T58840 - Silver T5884001 - Black
Tube Diameter	Ø1 1/4" - 32mm
Materials	Main Body - AW6082 T6 Aluminium Roll Pins - Stainless Steel Eyebolt Assy - Grade 8.8
Max Tightening Torque	Hand Tighten
Fixings	M6 x 16
WLL	100Kg Vertical Loads
Weight	0.14Kg (0.31 lbs)
Factor of Safety	5:1
Approval	TÜV Approved



Dimensions in mm