



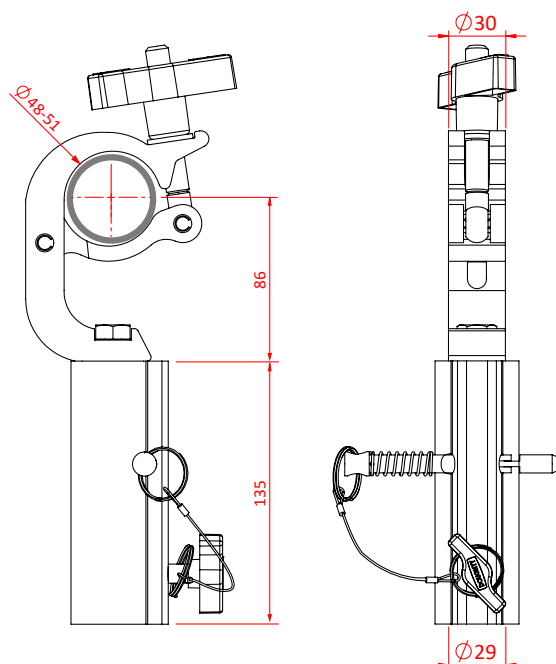
Trigger TV Clamp



Product Data Sheet



A Trigger Clamp fitted with a 29mm (1.14") Receiver	
Part Nos	T58869 - Polished T5886901 - Powder Painted Satin Black
Tube Diameter	Ø48 - 51mm (1.89" - 2.01")
Materials	Main Body - AW6082 T6 Aluminium Roll Pins - Stainless Steel Eyebolt Assy - Grade 8.8
Max Tightening Torque	Hand-tight Only
Fixings	Fitted with a 29mm (1.14") Receiver
WLL	200Kg
Weight	1.09Kg (2.4 lbs)
Factor of Safety	5:1
Approval	TÜV Approved



Dimensions in mm