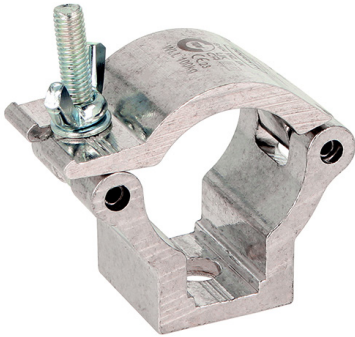




35mm Atom Half Coupler



Product Data Sheet



An Atom Half Coupler	
Part Nos	T58900 - Silver T5890001 - Black
Tube Diameter	Ø35mm (1.38")
Materials	Main Body - AW6082 T6 Aluminium Roll Pins - Stainless Steel Eyebolt Assy - Grade 8.8
Max Tightening Torque	Hand Tighten
Fixings	Ø10mm (0.39") Hole
WLL	100Kg
Weight	0.09Kg (0.20 lbs)
Factor of Safety	5:1
Approval	TÜV Approved

Dimensions in mm

