



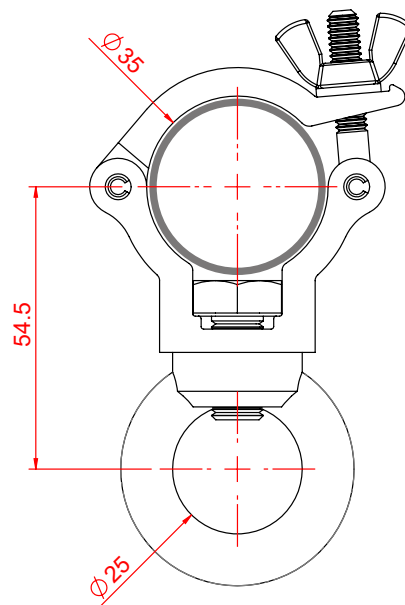
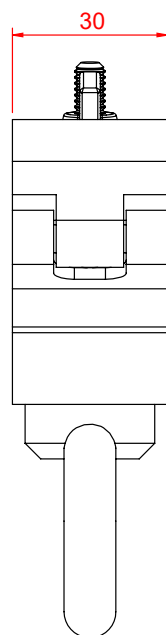
35mm Atom Hanging Clamp



Product Data Sheet



An Atom Hanging Clamp	
Part Nos	T58920 - Silver T5892001 - Black
Tube Diameter	Ø35mm (1.38")
Materials	Main Body - AW6082 T6 Aluminium Roll Pins - Stainless Steel Eyebolt Assy - Grade 8.8
Max Tightening Torque	Hand Tighten
Fixings	Ø10mm (0.39") Hole
WLL	100Kg Vertical Load
Weight	0.09Kg (0.20 lbs)
Factor of Safety	5:1
Approval	TÜV Approved



Dimensions in mm