

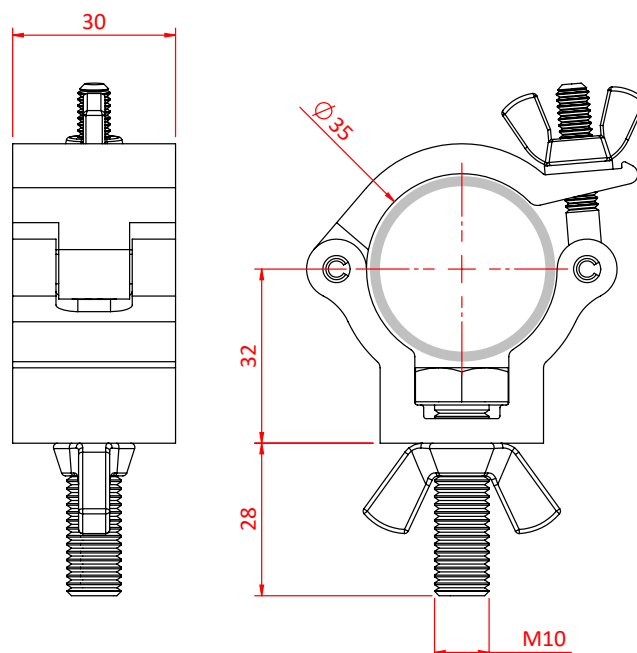


Product Data Sheet

35mm Atom Hook Coupler



An Atom Hook Coupler	
Part Nos	T58927 - Silver T5892701 - Black
Tube Diameter	Ø35mm (1.38")
Materials	Main Body - AW6082 T6 Aluminium Roll Pins - Stainless Steel Eyebolt Assy - Grade 8.8
Max Tightening Torque	Hand Tighten
Fixings	M10 x 35
WLL	100Kg
Weight	0.13Kg (0.28 lbs)
Factor of Safety	5:1
Approval	TÜV Approved



Dimensions in mm