



Operators Poles

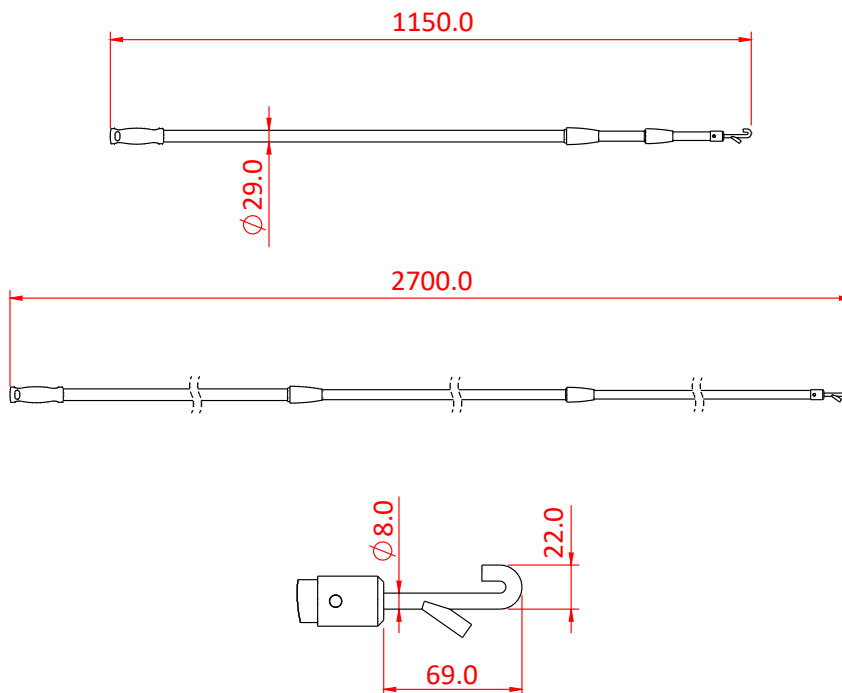
Product Data Sheet



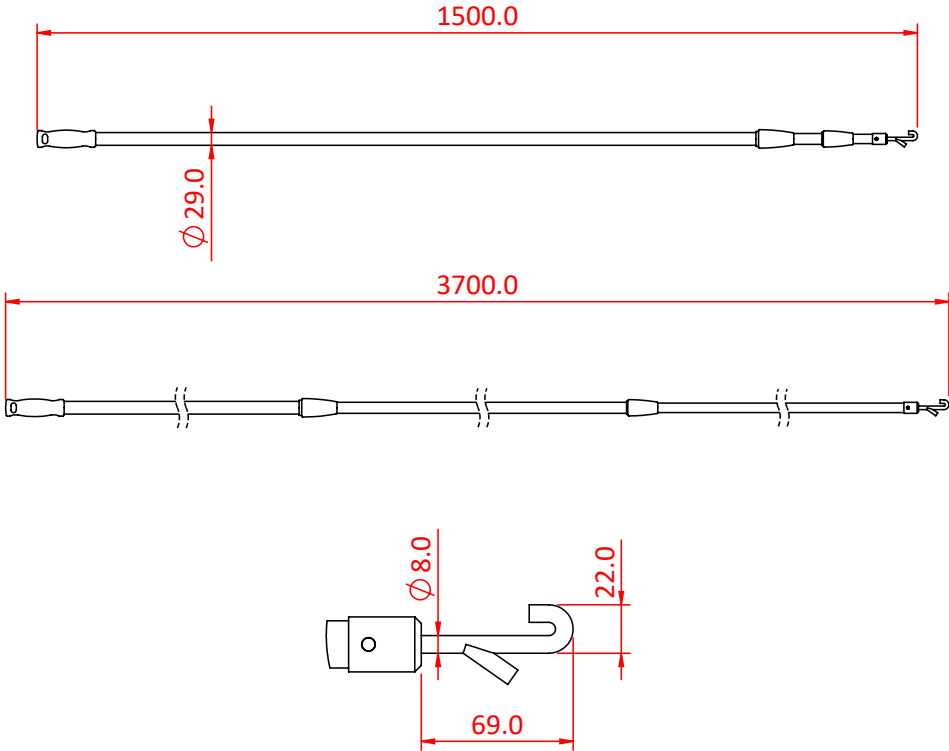
Studio Rail Operators Pole	
Part Nos	T84249 - 1.15m to 2.70m T84250 - 1.50m to 3.70m T84251 - 1.80m to 4.50m T84252 - 1.70m to 5.50m T84253 - 2.20m to 7.30m
Material	Aluminium
Finish	Anodise gold
Weight	T84249 - 1.00Kg T84250 - 1.20Kg T84251 - 1.40Kg T84252 - 1.80Kg T84253 - 2.20Kg

Dimensions in mm

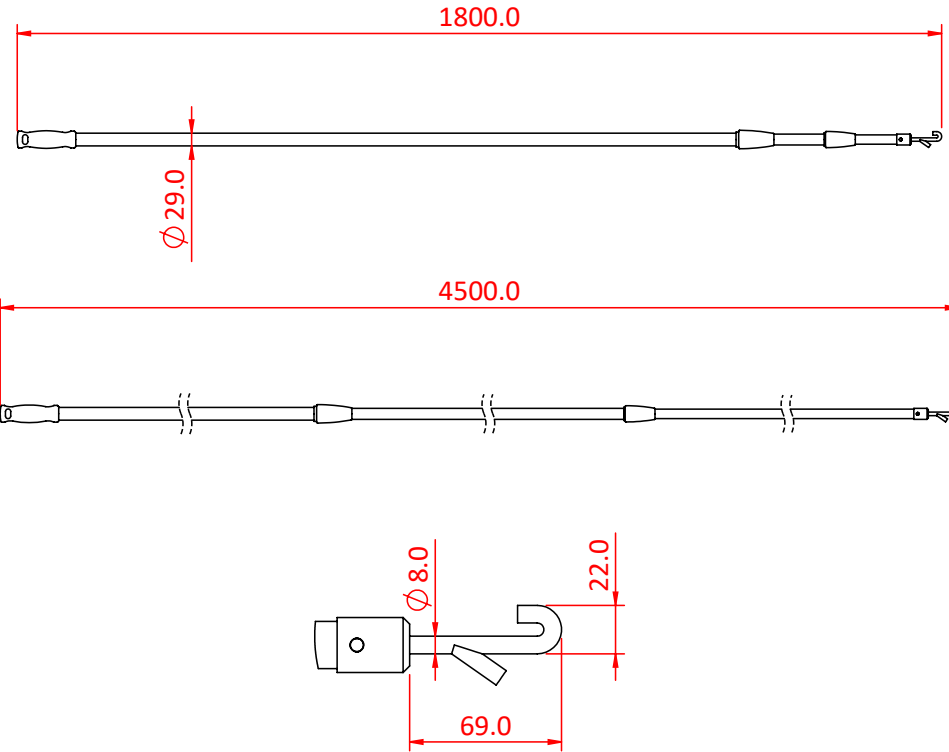
T84249



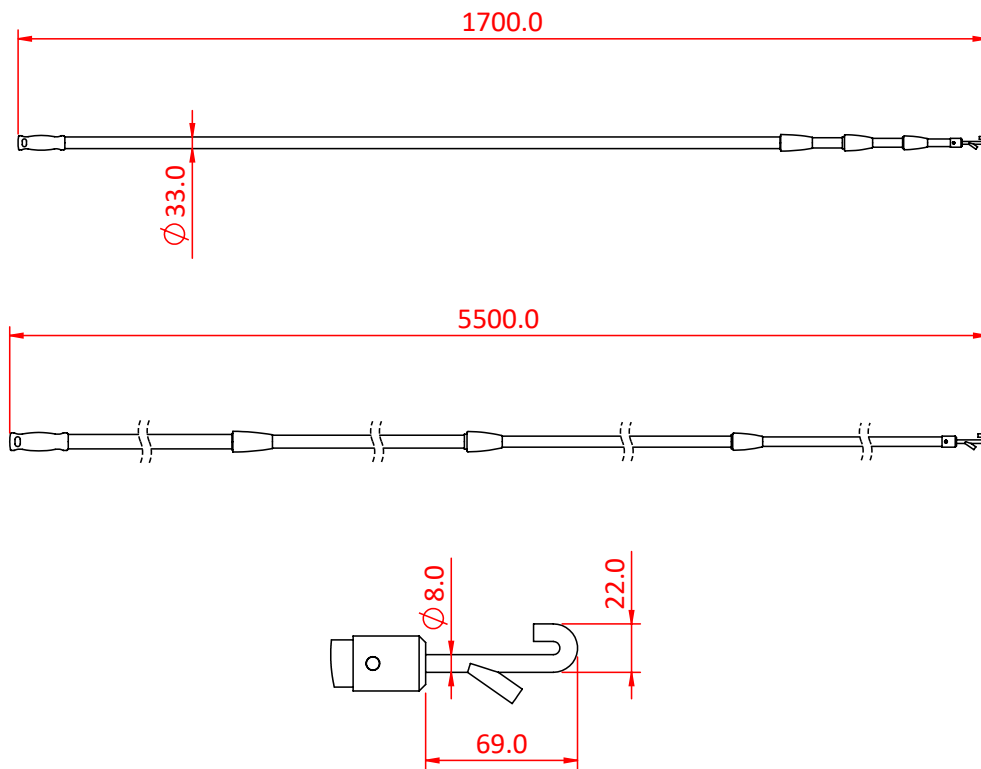
T84250



T84251



T84252



T84253

