

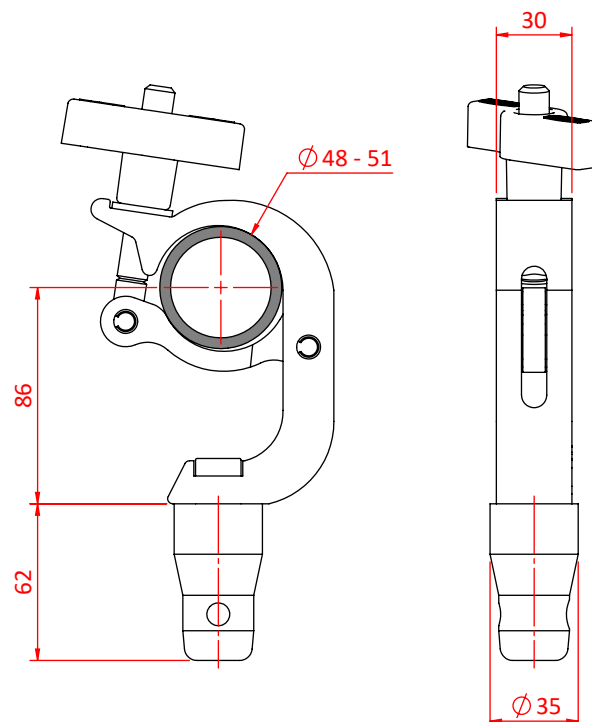


Trigger Clamp with Half Connector

Product Data Sheet



A Trigger Clamp fitted with a Half Connector to work with Modular Rigging components.	
Part Nos	T45825 - Polished T45826 - Powder Painted Satin Black
Tube Diameter	Ø48 - 51mm (1.89" - 2.01")
Materials	Main Body - AW6082 T6 Aluminium Roll Pins - Stainless Steel Eyebolt Assy - Grade 8.8
Max Tightening Torque	Hand tighten only
Fixings	Aluminium Half Connector
WLL	100Kg Vertical Load
Weight	0.65Kg (1.43 lbs)
Factor of Safety	5:1



Dimensions in mm